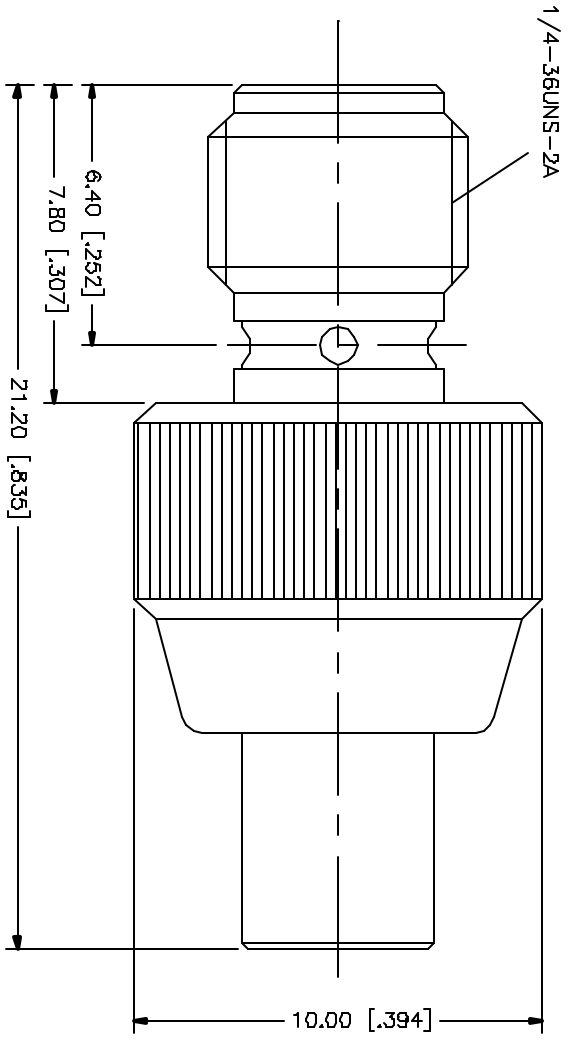


REV.	DATE	DESCRIPTION
A	03/27/05	UPDATE DRAWING FORMAT



8																				
7																				
6																				
5																				
4																				
3	CONTACT PIN	BER. COPPER	GOLD	1																
2	INSULATOR	TEFLON	NATURAL	1																
1	BODY	BRASS	GOLD	1																
	DESCRIPTION	MATERIAL	FINISH	QTY																

Amphenol Connex

SMA FEMALE TO MCX FEMALE ADAPTER

PART NO. 242129

APPROVALS	DATE
G.R.S.	03/27/05

UNLESS OTHERWISE SPECIFIED DIMENSIONS ARE IN MILLIMETERS (DIMENSIONS IN [] ARE IN INCHES AND FOR PRECISION REFERENCED ONLY.)
 UNLESS OTHERWISE SPECIFIED TOLERANCES FOR MILLIMETERS ARE:
 D > .30mm ± 0.20mm
 B - .30mm ± 0.40mm
 S0 - .10mm ± 0.50mm
 UNLESS OTHERWISE SPECIFIED TOLERANCES FOR INCHES ARE:
 .020 - .315 ± 0.007"
 .315 - 1.180 ± 0.015"
 1.180 - 4.724 ± 0.020"
 DO NOT SCALE DRAWING

CAD FILE C:/242/242129.DWG

DWG. NO.	REV.	SIZE	SCALE
242129.DWG	A	A	NA