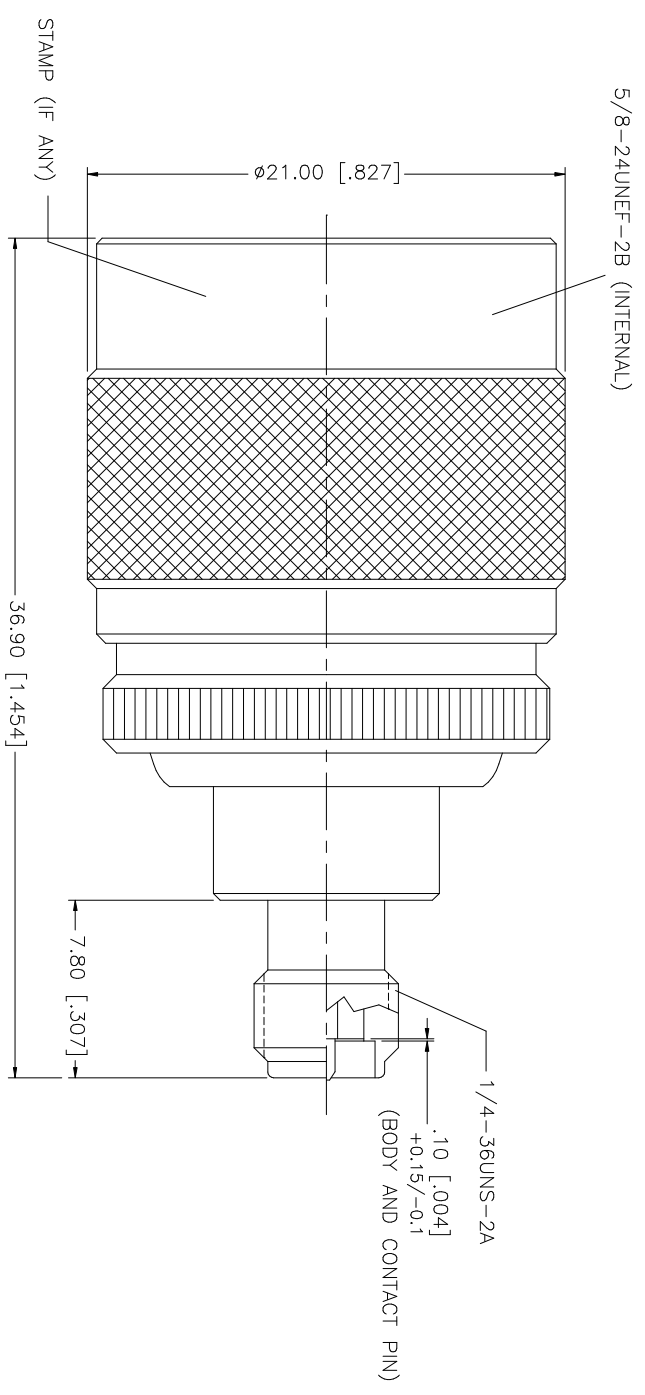


REV.	DATE	DESCRIPTION
NC	06/02/03	INITIAL RELEASE



8						UNLESS OTHERWISE SPECIFIED DIMENSIONS ARE IN INCHES AND FOR CUSTOMER REFERENCE ONLY. UNLESS OTHERWISE SPECIFIED TOLERANCES FOR MILLIMETER ARE: 0.5 - 8mm ± 0.20mm 8 - 30mm ± 0.40mm 30 - 120mm ± 0.50mm  UNLESS OTHERWISE SPECIFIED TOLERANCES FOR INCHES ARE: .020 - .315 = ± 0.007" .315 - 1.180 = ± 0.015" 1.180 - 4.724 = ± 0.020"			
7									
6									
5									
4	CONTACT BODY	BRASS	NICKEL	1					
3	CONTACT PIN	PHOS. BRONZE	GOLD	1					
2	INSULATOR	TEFLON	NATURAL	1					
1	BODY	BRASS	NICKEL	1					
	DESCRIPTION	MATERIAL	FINISH	QTY		DO NOT SCALE DRAWING			
			APPROVALS DRAWN G.R.S. CHECKED ISSUED SHEET 1 OF 1		DATE 06/02/03	<b>Amphenol Connex</b> PART DESCRIPTION <b>N PLUG TO SMA REVERSE POLARITY JACK ADAPTER</b> PART NO. 242113RP			
CAD FILE C:/242/242113RP.DWG		DWG. NO. 242113RP.DWG	REV. NC	SIZE A	SCALE NA				