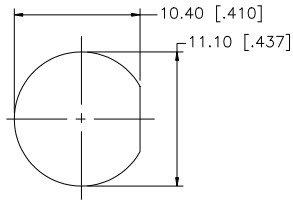
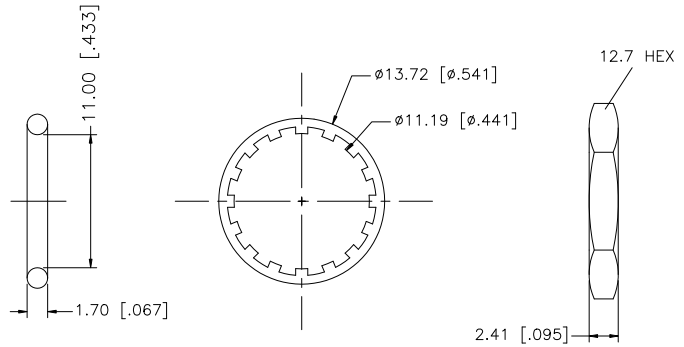
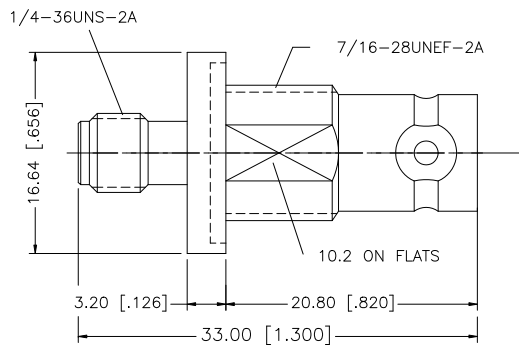


REV.	DATE	ECR NO.	DESCRIPTION
NC	02/24/02	-	INITIAL RELEASE
A	03/26/09	100089	UPDATE DRAWING FORMAT, ADD TOLERANCES TO MOUNTING HOLE DIMS.



RECOMMENDED MOUNTING HOLE



NOTE:

1. MAX. PANEL THICKNESS = 6.6mm

8				UNLESS OTHERWISE SPECIFIED DIMENSIONS ARE IN MILLIMETERS; DIMENSIONS IN () ARE IN INCHES AND FOR CUSTOMER REFERENCE ONLY.	APPROVALS	DATE	<h1 style="color: blue;">Amphenol Connex</h1>		
7				UNLESS OTHERWISE SPECIFIED TOLERANCES FOR MILLIMETERS ARE: 0.5 - 8mm ± 0.20mm 8 - 30mm ± 0.40mm 30 - 120mm ± 0.50mm	DRAWN GRS	03/26/09		SMA JACK TO BNC BULKHEAD JACK ADAPTER	
6	HEX NUT	BRASS	NICKEL	1	CHECKED				242181
5	LOCK WASHER	PHOS. BRONZE	NICKEL	1	ISSUED				
4	GASKET	SILICONE	RED	1	SHEET 1 OF 1		REV. NC		
3	CONTACT PIN	BER. COPPER	GOLD	1			SIZE A		
2	INSULATOR	PTFE	NATURAL	1			SCALE NA		
1	BODY	BRASS	NICKEL	1					
	DESCRIPTION	MATERIAL	FINISH	QTY	DO NOT SCALE DRAWING	C:/242/242181.DWG			