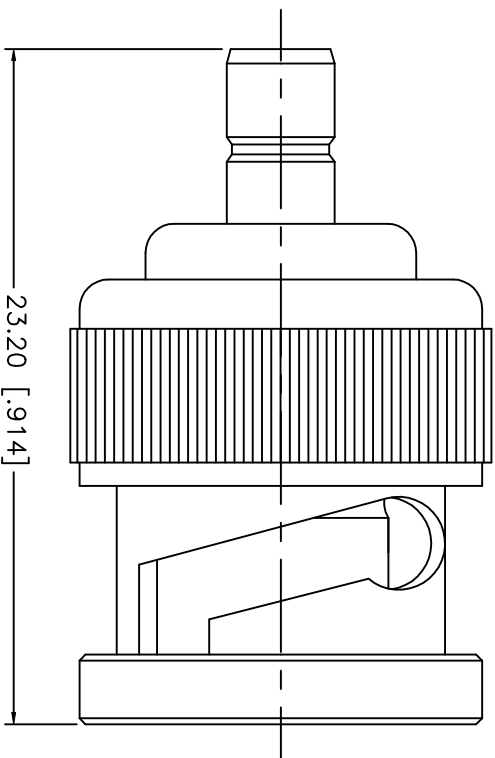


REV.	DATE	DESCRIPTION
NC	04/09/02	INITIAL RELEASE



8					UNLESS OTHERWISE SPECIFIED DIMENSIONS ARE IN MILLIMETERS		APPROVALS		DATE	<h2 style="text-align: center;">Amphenol - Connex</h2> <p style="text-align: center;">CONNECTOR CORPORATION</p> <p style="text-align: center;">BNC PLUG TO SMB JACK ADAPTOR</p>			REV.			
7					DIMENSIONS IN [ ] ARE IN INCHES FOR CUSTOMER REFERENCE ONLY		DRAWN	G.R.S.	04/09/02				SIZE	FSGM NO.	DWG. NO.	NC
6							CHECKED						A	99001	242184.DWG	
5							ISSUED									
4	CONTACT PIN	BRASS	GOLD		UNLESS OTHERWISE SPECIFIED TOLERANCES FOR INCHES ARE: .XXX = ± 0.005" .XX = ± 0.010" .X = ± 0.020"				TITLE	SCALE	PART NO.	SHEET	1 OF 1			
3	INSULATOR	TEFLON	NATURAL		DO NOT SCALE DRAWING					NA	242184					
2	SMB BODY	BRASS	GOLD													
1	BNC BODY	BRASS	NICKEL													
	DESCRIPTION	MATERIAL	FINISH													