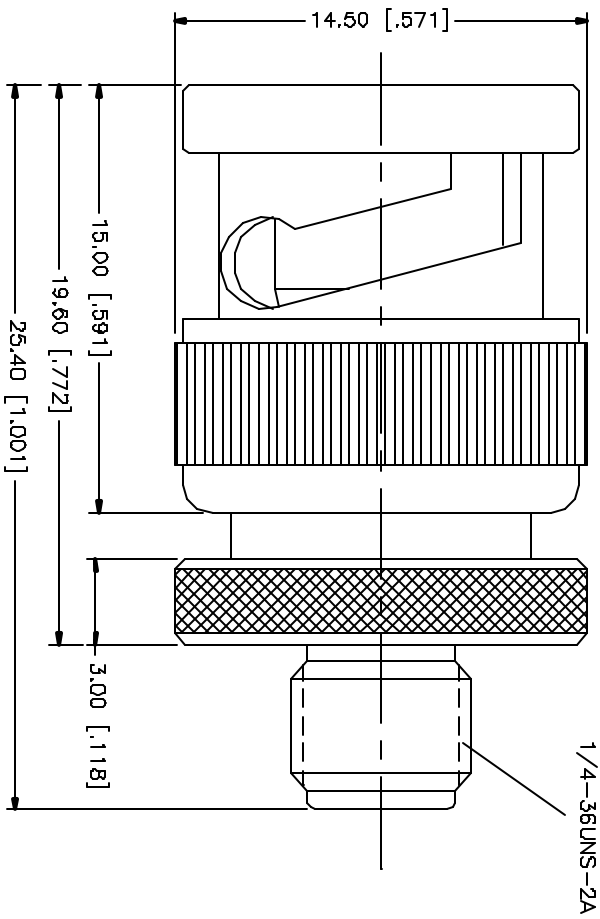


REV.	DATE	DESCRIPTION
A	03/27/05	UPDATE DRAWING'S FORMAT



NO.	DESCRIPTION	MATERIAL	FINISH	QTY	UNLESS OTHERWISE SPECIFIED DIMENSIONS ARE IN MILLIMETERS DIMENSIONS IN [] ARE IN INCHES AND FOR DECIMAL EQUIVALENT ONLY.	APPROVALS	DATE	PART DESCRIPTION						
1	CONTACT PIN	PHOS. BRONZE	GOLD	1	UNLESS OTHERWISE SPECIFIED DIMENSIONS ARE IN MILLIMETERS DIMENSIONS IN [] ARE IN INCHES AND FOR DECIMAL EQUIVALENT ONLY. TOLERANCES FOR MILLIMETERS ARE: 0.5 - 30mm ± 0.20mm 30 - 120mm ± 0.40mm 120 - 150mm ± 0.50mm UNLESS OTHERWISE SPECIFIED DIMENSIONS FOR INCHES ARE: 0.000 - 0.315 ± 0.0075 0.315 - 1.180 ± 0.015 1.180 - 4.724 ± 0.020	DRAWN	G.R.S.	03/27/05	Amphenol Connex SMA FEMALE TO BNC MALE ADAPTER					
2	INSULATOR	TEFLON	NATURAL	1		CHECKED								
3	INSULATOR	BRASS	GOLD	1	RELEAD									
4	DESCRIPTION	MATERIAL	FINISH	QTY	SHEET	1 OF 1								
DO NOT SCALE DRAWING					S&D FILE	C:/242/242103.DWG	DWG. NO.	242103.DWG	REV.	A	SIZE	A	SCALE	NA