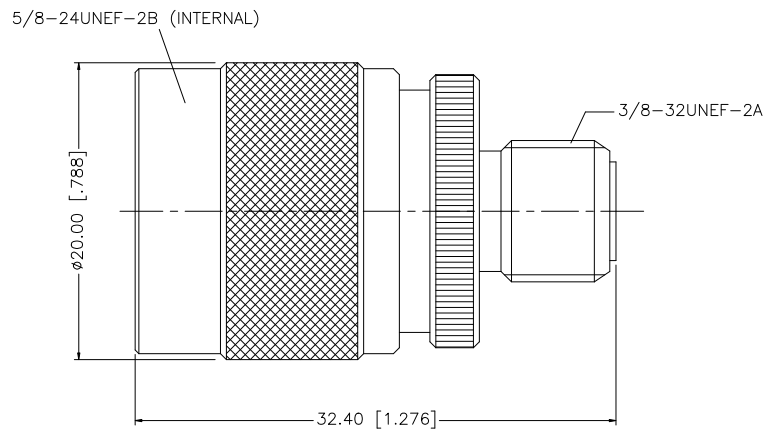


REV.	DATE	ECR NO.	DESCRIPTION
NC	03/06/00	-	INITIAL RELEASE
A	06/03/08	100024	UPDATE DRAWING FORMAT, INSULATOR REVISED TO PTFE



DESCRIPTION	MATERIAL	FINISH	QTY	DO NOT SCALE DRAWING	APPROVALS	DATE	<h1 style="color: blue; margin: 0;">Amphenol Connex</h1>	
8								<p>PART DESCRIPTION</p> <h2 style="margin: 0;">N MALE TO F FEMALE W/WATERPROOF ADAPTER</h2> <p>PART NO. 242156</p> <p>DWG. NO. 242156.DWG REV. A SIZE A SCALE NA</p>
7								
6								
5								
4	GASKET	SILICONE	RED	1				
3	CONTACT PIN	BER. COPPER	GOLD	1				
2	INSULATOR	PTFE	NATURAL	1				
1	BODY	BRASS	NICKEL	1				
				UNLESS OTHERWISE SPECIFIED DIMENSIONS ARE IN MILLIMETERS; DIMENSIONS IN () ARE IN INCHES AND FOR CUSTOMER REFERENCE ONLY.	APPROVALS	DATE		
				UNLESS OTHERWISE SPECIFIED TOLERANCES FOR MILLIMETERS ARE:	DRAWN	GRS	06/03/08	
				0.5 - 8mm ± 0.20mm	CHECKED			
				8 - 30mm ± 0.40mm	ISSUED			
				30 - 120mm ± 0.50mm	SHEET	1 OF 1		
				UNLESS OTHERWISE SPECIFIED TOLERANCES FOR INCHES ARE:	CAD FILE	C:/242/242156.DWG		
				.020 - .315 = ± 0.007"				
				.315 - 1.180 = ± 0.015"				
				1.180 - 4.724 = ± 0.020"				