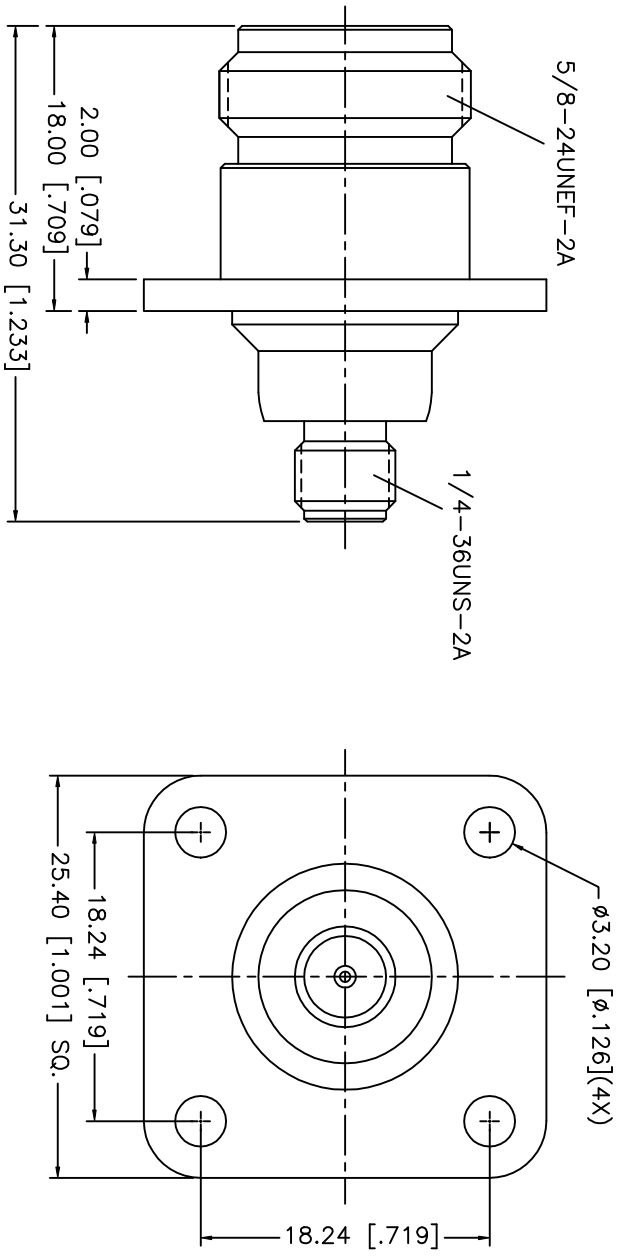


REV.	DATE	DESCRIPTION
NC	09/22/02	INITIAL RELEASE



8				UNLESS OTHERWISE SPECIFIED DIMENSIONS ARE IN MILLIMETERS	APPROVALS	DATE	TITLE				REV.
7				DIMENSIONS IN [ ] ARE IN INCHES FOR CUSTOMER REFERENCE ONLY	DRAWN	09/22/02	<b>Amphenol - Connex</b> CONNECTOR CORPORATION				NC
6					CHECKED		N JACK TO SMA JACK PANEL ADAPTOR				
5					ISSUED						
4											
3	CONTACT PIN	PHOS. BRONZE	GOLD	UNLESS OTHERWISE SPECIFIED TOLERANCES FOR INCHES ARE: .XXX = ± 0.005" .XX = ± 0.010" .X = ± 0.020"			SIZE	FSCAL NO.	DWG. NO.		
2	INSULATOR	TEFLON	NATURAL				A	99001	242163.DWG		
1	BODY	BRASS	NICKEL				SCALE	NA	PART NO.	242163	SHEET 1 OF 1
	DESCRIPTION	MATERIAL	FINISH	DO NOT SCALE DRAWING							