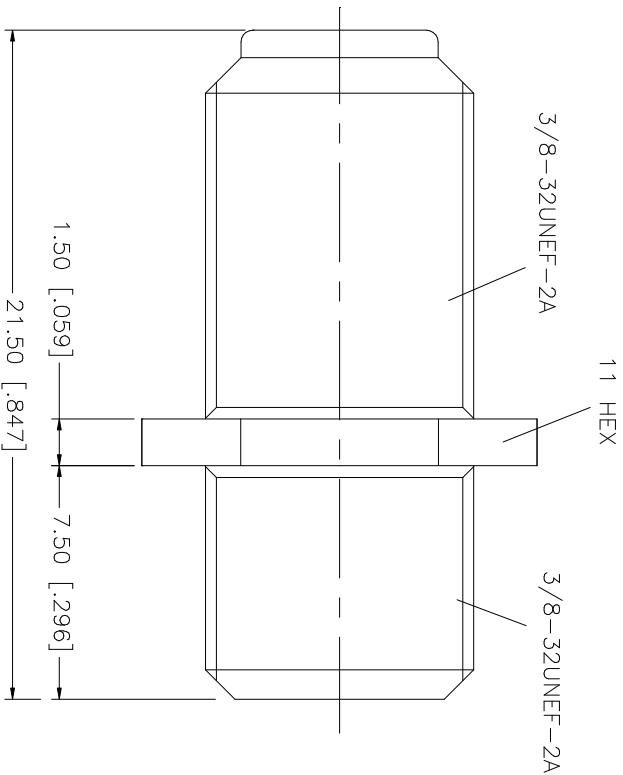
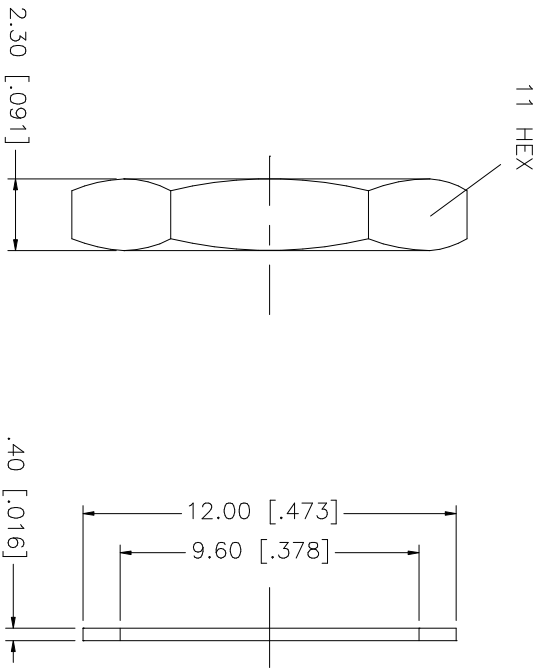


REV.	DATE	DESCRIPTION
A	04/27/99	CHANGE PLATING SPEC. / UPDATE DWG.
B	05/01/04	UPDATE DRAWING FORMAT
C	02/21/06	MODIFY BODY DIMENSIONS



8																					
7																					
6																					
5	HEX NUT	BRASS	NICKEL	1																	
4	WASHER	BRASS	NICKEL	1																	
3	CONTACT PIN	BRASS	BRIGHT TIN	1																	
2	INSULATOR	P.P.	NATURAL	1																	
1	BODY	DIECAST	NICKEL	1																	
DESCRIPTION		MATERIAL		FINISH		QTY		DO NOT SCALE DRAWING		CAD FILE		APPROVALS		DATE		DWG. NO.		REV.		SCALE	
										C:/222/222121DWG		DRAWN G.R.S.		02/21/06		222121.DWG		C		A	
												CHECKED									
												ISSUED									
												SHEET		1 OF 1							
												PART NO.		222121							
												PART DESCRIPTION		F CONNECTOR							
												<h1 style="color: blue; margin: 0;">Amphenol Connex</h1>									

UNLESS OTHERWISE SPECIFIED DIMENSIONS ARE IN MILLIMETERS DIMENSIONS IN [] ARE IN INCHES AND FOR CUSTOMER REFERENCE ONLY.

UNLESS OTHERWISE SPECIFIED TOLERANCES FOR MILLIMETERS ARE:

0.5 - 8mm ± 0.20mm
8 - 30mm ± 0.40mm
30 - 120mm ± 0.50mm

UNLESS OTHERWISE SPECIFIED TOLERANCES FOR INCHES ARE:

.020 - .315 = ± 0.007"
.315 - 1.180 = ± 0.015"
1.180 - 4.724 = ± 0.020"