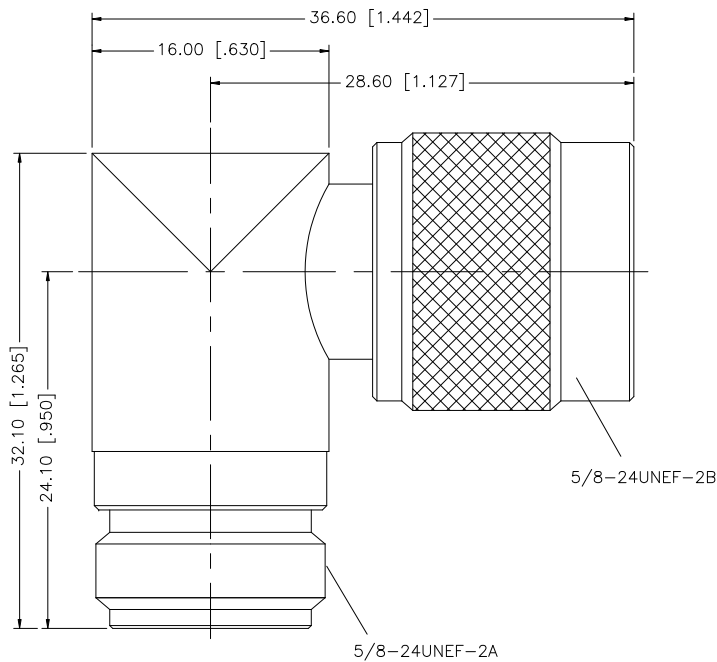


REV.	DATE	ECR NO.	DESCRIPTION
NC	09/08/95	-	INITIAL RELEASE
A	07/02/08	100040	REVISE OVERALL BODY DIMENSIONS



				UNLESS OTHERWISE SPECIFIED DIMENSIONS ARE IN MILLIMETERS. DIMENSIONS IN [] ARE IN INCHES AND FOR CUSTOMER REFERENCE ONLY.	APPROVALS	DATE	Amphenol Connex			
8					DRAWN	GRS				07/02/08
7					CHECKED			PART NO. 172126		
6					ISSUED					
5					SHEET	1 OF 1		REV. A	SIZE A	SCALE NA
4										
3	CONTACT PIN	BER. COPPER	GOLD	1						
2	INSULATOR	PTFE	NATURAL	1						
1	BODY	BRASS	NEXCOTE	1						
	DESCRIPTION	MATERIAL	FINISH	QTY	DO NOT SCALE DRAWING					

UNLESS OTHERWISE SPECIFIED DIMENSIONS ARE IN MILLIMETERS. DIMENSIONS IN [] ARE IN INCHES AND FOR CUSTOMER REFERENCE ONLY.

UNLESS OTHERWISE SPECIFIED TOLERANCES FOR MILLIMETERS ARE:
0.5 - 8mm ± 0.20mm
8 - 30mm ± 0.40mm
30 - 120mm ± 0.50mm

UNLESS OTHERWISE SPECIFIED TOLERANCES FOR INCHES ARE:
.020 - .315 = ± 0.007"
.315 - 1.180 = ± 0.015"
1.180 - 4.724 = ± 0.020"

Amphenol Connex

N R/A JACK TO PLUG ADAPTER

172126

DWG. NO. 172126.DWG REV. A SIZE A SCALE NA