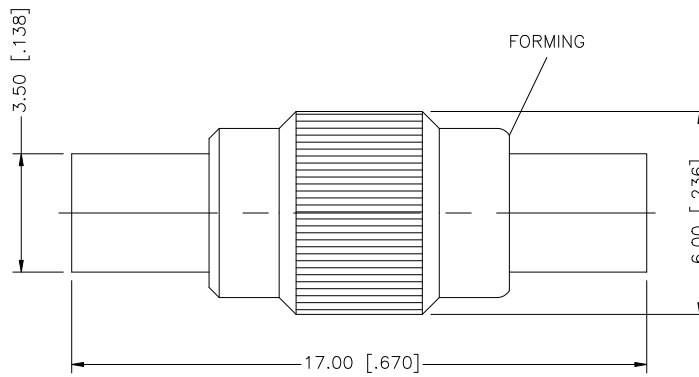


REV.	DATE	DESCRIPTION
NC	09/07/99	INITIAL RELEASE
A	11/13/07	UPDATE DRAWING FORMAT



REV.	DATE	DESCRIPTION	APPROVALS	DATE	Amphenol Connex		
8					<b>MMCX JACK TO JACK ADAPTER</b>		
7							
6							
5							
4					PART NO. 262129		
3	CONTACT PIN	BER. COPPER	GOLD	1	DWG. NO. 262129.DWG		
2	INSULATOR	TEFLON	NATURAL	1	REV. A	SIZE A	SCALE NA
1	BODY	BRASS	GOLD	1			
<small>UNLESS OTHERWISE SPECIFIED DIMENSIONS ARE IN MILLIMETERS; DIMENSIONS IN [ ] ARE IN INCHES AND FOR CUSTOMER REFERENCE ONLY.</small> <small>UNLESS OTHERWISE SPECIFIED TOLERANCES FOR MILLIMETERS ARE:</small> 0.5 - 8mm ± 0.20mm 8 - 30mm ± 0.40mm 30 - 120mm ± 0.50mm <small>UNLESS OTHERWISE SPECIFIED TOLERANCES FOR INCHES ARE:</small> .020 - .315 = ± 0.007" .315 - 1.180 = ± 0.015" 1.180 - 4.724 = ± 0.020"					<small>DO NOT SCALE DRAWING</small>		
<small>APPROVALS</small> DRAWN G.R.S. 11/13/07 CHECKED ISSUED SHEET 1 OF 1 <small>CAD FILE</small> C:/262/262129.DWG							