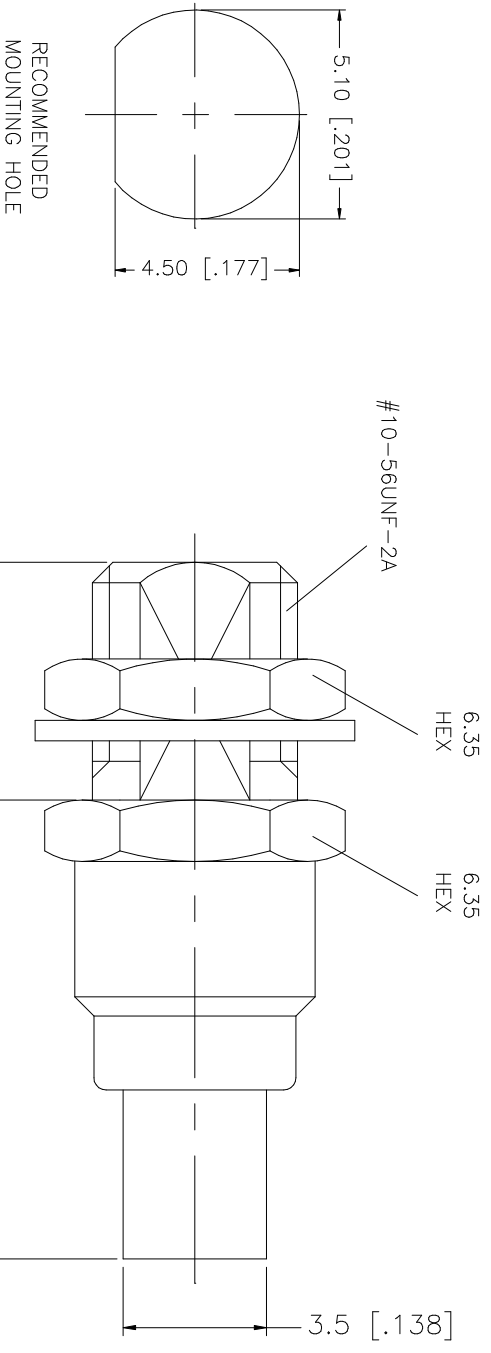


REV.	DATE	DESCRIPTION
NC	09/07/99	INITIAL RELEASE
A	12/15/05	UPDATE DRAWING FORMAT - MODIFY THREAD CALL OUT



QTY	FINISH	MATERIAL	DESCRIPTION
1	GOLD	BRASS	HEX NUT
1	GOLD	BRASS	LOCK WASHER
1	GOLD	BER. COPPER	CONTACT PIN
1	NATURAL	TEFLON	INSULATOR
1	GOLD	BRASS	BODY

APPROVALS	DATE
DRAWN G.R.S.	12/15/05
CHECKED	
ISSUED	
SHEET 1 OF 1	

PART DESCRIPTION	PART NO.
MMCX BULKHEAD JACK TO JACK ADAPTER	262130

DWG. NO.	REV.	SIZE	SCALE
262130.DWG	A	A	NA

UNLESS OTHERWISE SPECIFIED DIMENSIONS ARE IN MILLIMETERS DIMENSIONS IN PARENTHESIS ARE IN INCHES AND FOR CONVERSION PURPOSES ONLY.
UNLESS OTHERWISE SPECIFIED TOLERANCES FOR MILLIMETERS ARE: 0.5 - 8mm ± 0.20mm 8 - 30mm ± 0.40mm 30 - 120mm ± 0.50mm
UNLESS OTHERWISE SPECIFIED TOLERANCES FOR INCHES ARE: .020 - .315 = ± 0.007" .315 - 1.180 = ± 0.015" 1.180 - 4.724 = ± 0.020"
DO NOT SCALE DRAWING

Amphenol Connex

MMCX BULKHEAD JACK TO JACK ADAPTER

262130