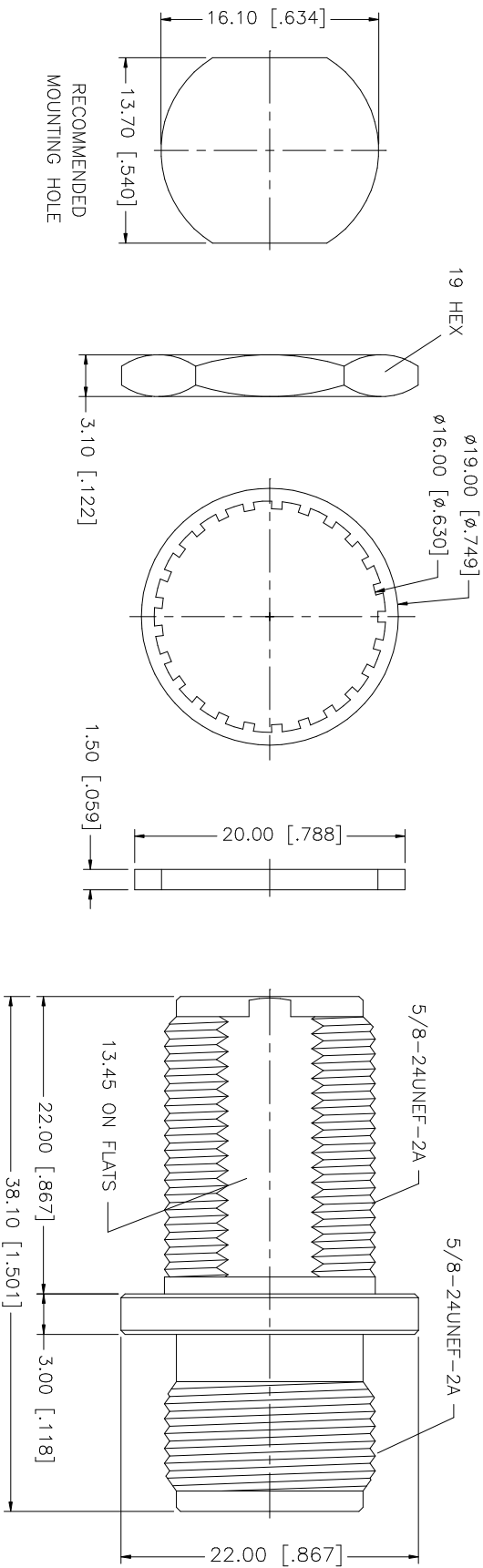


REV.	DATE	DESCRIPTION
NC	02/28/03	INITIAL RELEASE



NOTE:
1. MAX. PANEL THICKNESS = 6.5mm [.255"]

QTY	FINISH	MATERIAL	DESCRIPTION
1	NEXCOTE	BRASS	19 HEX
1	NEXCOTE	BRASS	LOCK WASHER
1	RED	SILICONE	GASKET
1	GOLD	PHOS. BRONZE	CONTACT PIN
1	NATURAL	TEFLON	INSULATOR
1	NEXCOTE	BRASS	HOUSING/BODY

APPROVALS	DATE
DRAWN G.R.S.	02/28/03
CHECKED	
ISSUED	
SHEET 1 OF 1	

UNLESS OTHERWISE SPECIFIED DIMENSIONS ARE IN MILLIMETERS. DIMENSIONS IN [] ARE IN INCHES AND FOR CUSTOMER REFERENCE ONLY. TOLERANCES FOR MILLIMETERS ARE:
0.5 - 8mm ± 0.20mm
8 - 30mm ± 0.40mm
30 - 120mm ± 0.50mm
UNLESS OTHERWISE SPECIFIED DIMENSIONS ARE:
.020 - .315 = ± 0.007"
.315 - 1.180 = ± 0.015"
1.180 - 4.724 = ± 0.020"

DO NOT SCALE DRAWING
CAD FILE C:/172/172124.DWG

DWG. NO.	REV.	NC	SIZE	SCALE
172124.DWG			A	NA

PART DESCRIPTION	PART NO.
N JACK TO JACK BULKHEAD ADAPTER	172124

Amphenol Connex

N JACK TO JACK BULKHEAD ADAPTER

172124