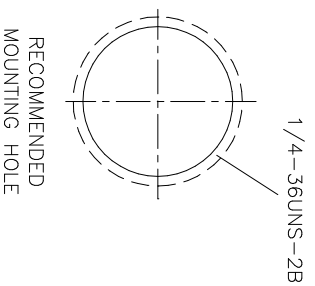
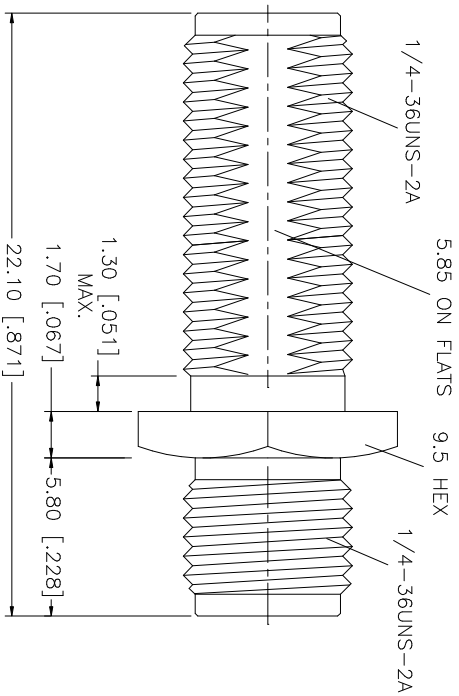
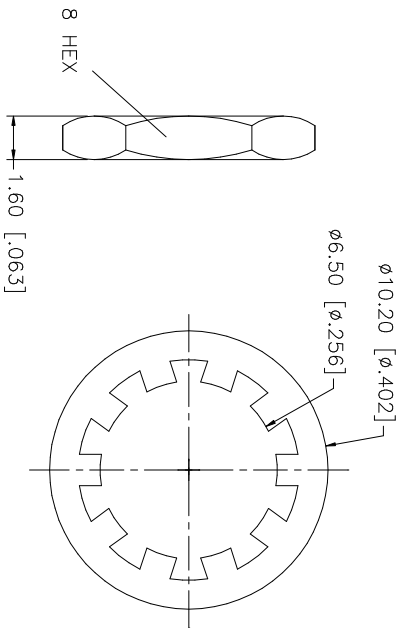
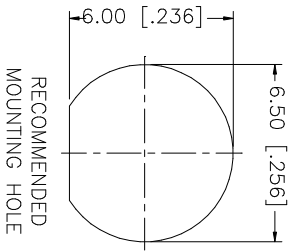


REV.	DATE	DESCRIPTION
C	04/08/01	ADD NOTES AND MOUNTING HOLE
D	04/31/03	UPDATE DRAWING FORMAT



- NOTES:
- MAX. PANEL THICKNESS = 6.5mm
MIN. PANEL THICKNESS = 2mm

NO.	DESCRIPTION	MATERIAL	FINISH	QTY	UNLESS OTHERWISE SPECIFIED DIMENSIONS ARE IN MILLIMETERS DIMENSIONS IN [] ARE IN INCHES AND FOR CUSTOMER REFERENCE ONLY.	UNLESS OTHERWISE SPECIFIED DIMENSIONS ARE IN MILLIMETERS DIMENSIONS IN [] ARE IN INCHES AND FOR CUSTOMER REFERENCE ONLY.	UNLESS OTHERWISE SPECIFIED DIMENSIONS ARE IN MILLIMETERS DIMENSIONS IN [] ARE IN INCHES AND FOR CUSTOMER REFERENCE ONLY.	UNLESS OTHERWISE SPECIFIED DIMENSIONS ARE IN MILLIMETERS DIMENSIONS IN [] ARE IN INCHES AND FOR CUSTOMER REFERENCE ONLY.	UNLESS OTHERWISE SPECIFIED DIMENSIONS ARE IN MILLIMETERS DIMENSIONS IN [] ARE IN INCHES AND FOR CUSTOMER REFERENCE ONLY.	UNLESS OTHERWISE SPECIFIED DIMENSIONS ARE IN MILLIMETERS DIMENSIONS IN [] ARE IN INCHES AND FOR CUSTOMER REFERENCE ONLY.
8	HEX NUT	BRASS	GOLD	1	0.5 - 8mm ± 0.20mm	0.5 - 8mm ± 0.20mm	0.5 - 8mm ± 0.20mm	0.5 - 8mm ± 0.20mm	0.5 - 8mm ± 0.20mm	0.5 - 8mm ± 0.20mm
7	LOCK WASHER	BRASS	GOLD	1	8 - 30mm ± 0.40mm	8 - 30mm ± 0.40mm	8 - 30mm ± 0.40mm	8 - 30mm ± 0.40mm	8 - 30mm ± 0.40mm	8 - 30mm ± 0.40mm
6	CONTACT PIN	BER. COPPER	GOLD	1	30 - 120mm ± 0.50mm	30 - 120mm ± 0.50mm	30 - 120mm ± 0.50mm	30 - 120mm ± 0.50mm	30 - 120mm ± 0.50mm	30 - 120mm ± 0.50mm
5	INSULATOR	TEFLON	NATURAL	1	0.20 - .315 = ± 0.007"	0.20 - .315 = ± 0.007"	0.20 - .315 = ± 0.007"	0.20 - .315 = ± 0.007"	0.20 - .315 = ± 0.007"	0.20 - .315 = ± 0.007"
4	BODY	BRASS	GOLD	1	.315 - 1.180 = ± 0.015"	.315 - 1.180 = ± 0.015"	.315 - 1.180 = ± 0.015"	.315 - 1.180 = ± 0.015"	.315 - 1.180 = ± 0.015"	.315 - 1.180 = ± 0.015"
1	DESCRIPTION	MATERIAL	FINISH	QTY	DO NOT SCALE DRAWING	DO NOT SCALE DRAWING	DO NOT SCALE DRAWING	DO NOT SCALE DRAWING	DO NOT SCALE DRAWING	DO NOT SCALE DRAWING
APPROVALS		DATE		CAD FILE						
DRAWN G.R.S.		04/31/03		C:/132/132170.DWG						
CHECKED				DWG. NO. 132170.DWG						
ISSUED				REV. D						
SHEET 1 OF 1				SIZE A						
PART NO. 132170				SCALE NA						
<p>Amphenol Connex</p> <p>SMA BULKHEAD FEMALE TO FEMALE ADAPTOR</p>										