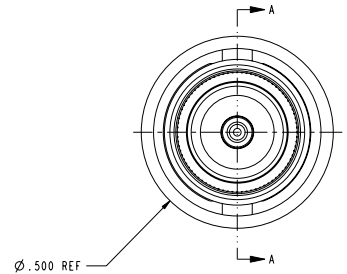
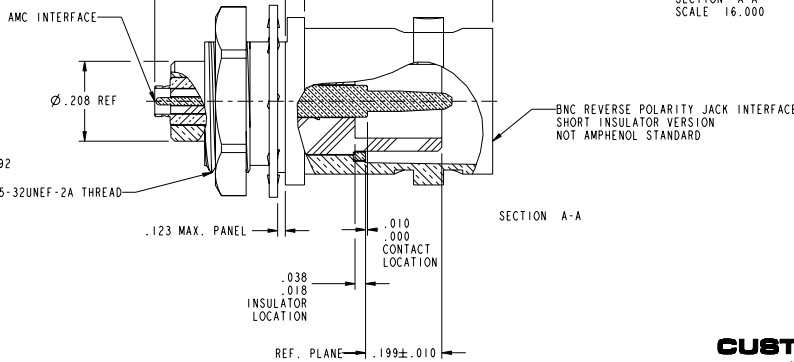
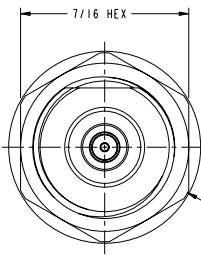
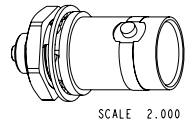
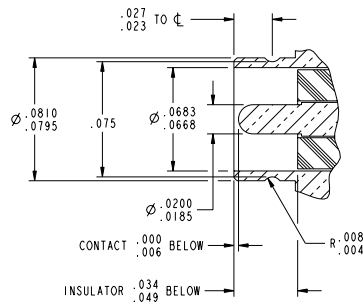
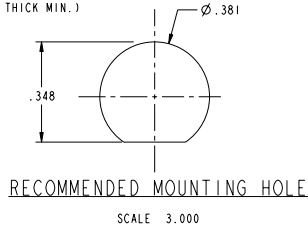


- NOTES:
- MATERIALS AND FINISHES:
 BODY - BRASS (ASTM-B16 H02, C36000), NICKEL PLATING (.00008 THICK MIN.)
 CONTACT - BRASS (ASTM-B16 H02, C36000), GOLD PLATING (.00003 THICK MIN.)
 INSULATOR - PTFE PER ASTM D 1710 OR EQUIV
 - ELECTRICAL:
 A. IMPEDANCE: 50 OHM
 B. FREQUENCY RANGE: DC - 3 GHz
 - MECHANICAL:
 A. DURABILITY: TNC, 500 CYCLES MIN.
 AMC, 30 CYCLES MIN.
 B. TEMPERATURE RANGE: -40° C TO 90° C
 C. RECOMMENDED HEX NUT TIGHTENING TORQUE:
 25 IN-LB MIN, 35 IN-LB MAX
 - PACKAGING:
 A. QUANTITY: SINGLE PACK
 B. MARKING: BAG TO BE MARKED
 "AMPHENOL, 31-6109, AND DATE CODE"

31-6109		REVISIONS			
DRAWING NO.	REV	DESCRIPTION	DATE	ECO	APPR
THIRD ANGLE PROJ.	A	RELEASE TO MFG	5/21/03	44443	CPM
	B	DESCRIPTION WAS U.F.L	6/15/06	46096	CPM



CUSTOMER OUTLINE DRAWING
ALL OTHER SHEETS ARE FOR INTERNAL USE ONLY

UNLESS OTHERWISE SPECIFIED, DIMENSIONS ARE IN INCHES AND TOLERANCES ARE: 2 PLACE DECIMAL ±.015 (0.381 mm) 3 PLACE DECIMAL ±.005 (0.127 mm) ANGLES ± 1°	MATERIAL	DRAWN C. McGRATH	DATE 4/22/03	TITLE AMC TO BNC REVERSE POLARITY JACK BULKHEAD ADAPTER	Amphenol RF Danbury, CT, USA Tainan, Taiwan Shenzhen, China www.amphenolrf.com	
	REFERENCE EARN 860.1 GENR ASSYMI_UFL 611X-4119	ENGINEER O. BARTHELMES	DATE 4/22/03	APPROVED O. BARTHELMES		SCALE: 4.0:1 SHEET 2 OF 2
NOTICE - These drawings, specifications, or other data (1) are, and remain the property of Amphenol Corp. (2) must be returned upon request; and (3) are confidential and not to be disclosed to any person other than those to whom they are given by Amphenol Corp. The furnishing of these drawings, specifications, or other data by Amphenol Corp., or to any other person for any purpose is not to be regarded by implication or otherwise in any manner licensing, granting rights or permitting such holder or any other person to manufacture, use or sell any product, process or design, patented or otherwise, that may in any way be related to or disclosed by said drawings, specifications, or other data.		CAD FILE I:\AMC\31-6109	CODE ID 74868	DWG SIZE B	DRAWING NO. 31-6109	REV B