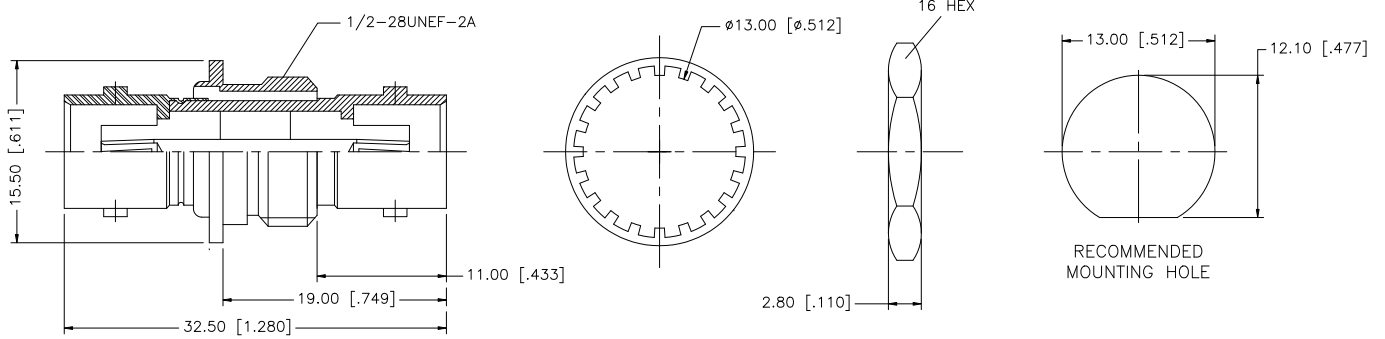


| REV. | DATE | ECR NO. | DESCRIPTION |
|------|----------|---------|-----------------------|
| NC | 06/15/98 | - | INITIAL RELEASE |
| A | 05/13/08 | 100015 | UPDATE DRAWING FORMAT |



| | | | | UNLESS OTHERWISE SPECIFIED DIMENSIONS ARE IN MILLIMETERS; DIMENSIONS IN [] ARE IN INCHES AND FOR CUSTOMER REFERENCE ONLY. | APPROVALS | DATE | Amphenol Connex | | | | |
|---|-------------|--------------|---------|--|----------------------|--------|------------------------|---------------------------|--------|----------|----------|
| 8 | | | | | DRAWN | GRS | | | | | 05/13/08 |
| 7 | | | | | CHECKED | | | PART NO. 112439 | | | |
| 6 | HEX NUT | BRASS | NICKEL | 1 | ISSUED | | | | | | |
| 5 | LOCK WASHER | BRASS | NICKEL | 1 | SHEET | 1 OF 1 | | REV. A | SIZE A | SCALE NA | |
| 4 | INSULATOR | DELTRIN | NATURAL | 1 | CAD FILE | | C:/112/112439.DWG | | | | |
| 3 | CONTACT PIN | PHOS. BRONZE | GOLD | 1 | DO NOT SCALE DRAWING | | | | | | |
| 2 | INSULATOR | DELTRIN | NATURAL | 1 | | | | | | | |
| 1 | BODY | BRASS | NICKEL | 1 | | | | | | | |

UNLESS OTHERWISE SPECIFIED DIMENSIONS ARE IN MILLIMETERS; DIMENSIONS IN [] ARE IN INCHES AND FOR CUSTOMER REFERENCE ONLY.

UNLESS OTHERWISE SPECIFIED TOLERANCES FOR MILLIMETERS ARE:
0.5 - 8mm ± 0.20mm
8 - 30mm ± 0.40mm
30 - 120mm ± 0.50mm

UNLESS OTHERWISE SPECIFIED TOLERANCES FOR INCHES ARE:
.020 - .315 = ± 0.007"
.315 - 1.180 = ± 0.015"
1.180 - 4.724 = ± 0.020"

Amphenol Connex

BNC FEMALE TO FEMALE BULKHEAD ISOLATED ADAPTER

112439

112439.DWG

REV. A SIZE A SCALE NA