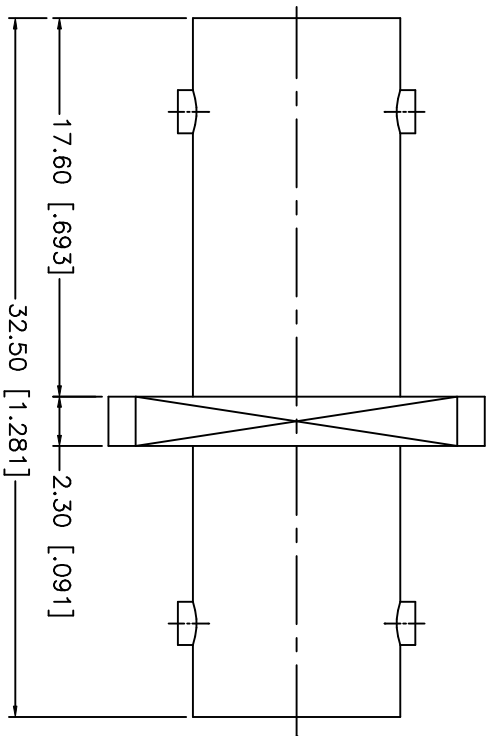
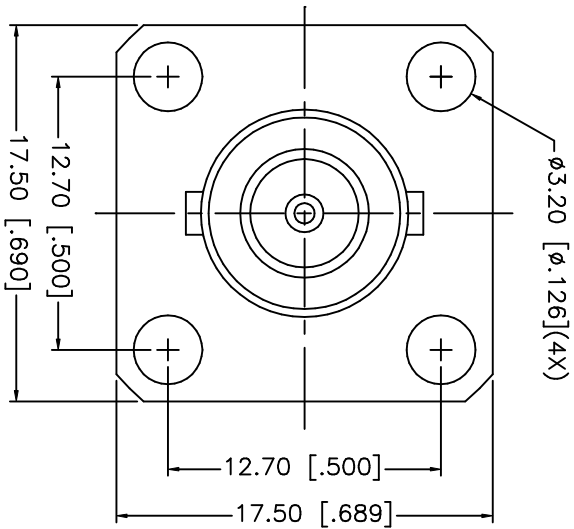


REV.	DATE	DESCRIPTION
NC	09/10/02	INITIAL RELEASE



8	UNLESS OTHERWISE SPECIFIED DIMENSIONS ARE IN MILLIMETERS	APPROVALS	DATE	TITLE				REV.	
7	DIMENSIONS IN [] ARE IN INCHES FOR CUSTOMER REFERENCE ONLY <td>DRAWN</td> <td>09/10/02</td> <td colspan="4" rowspan="3"> Amphenol - Connex CONNECTOR CORPORATION BNC FEMALE TO FEMALE PANEL ADAPTOR </td> <td>NC</td>	DRAWN	09/10/02	Amphenol - Connex CONNECTOR CORPORATION BNC FEMALE TO FEMALE PANEL ADAPTOR				NC	
6	UNLESS OTHERWISE SPECIFIED TOLERANCES FOR INCHES ARE:	CHECKED							
5	.XXX = ± 0.005" .XX = ± 0.010" .X = ± 0.020"	ISSUED							
4	RING	BRASS	NICKEL	SCALE	NA	PART NO.	112712	SHEET	1 OF 1
3	CONTACT PIN	PHOS. BRONZE	GOLD	SIZE	A	FSOM NO.	99001	DWG. NO.	112712.DWG
2	INSULATOR	TEFLON	NATURAL						
1	HOUSING	BRASS	NICKEL						
	DESCRIPTION	MATERIAL	FINISH	DO NOT SCALE DRAWING					