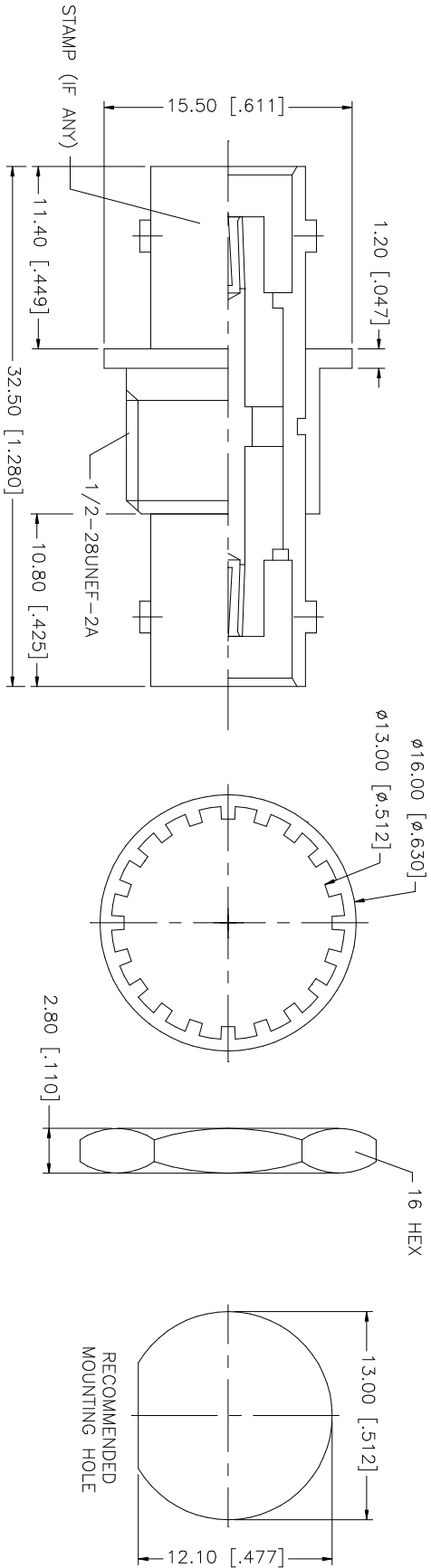


REV.	DATE	DESCRIPTION
A	04/05/03	UPDATE DRAWING FORMAT



NOTE:  
1. MAX. PANEL THICKNESS = 5.5mm

QTY	FINISH	MATERIAL	DESCRIPTION
1	NICKEL	BRASS	HEX NUT
1	NICKEL	BRASS	LOCK WASHER
1	NICKEL	BRASS	LOCK RING
1	GOLD	PHOS. BRONZE	CONTACT PIN
1	NATURAL	DELIN	INSULATOR
1	WHITE	DELIN	INSULATOR
1	NICKEL	BRASS	BODY

UNLESS OTHERWISE SPECIFIED DIMENSIONS ARE IN INCHES AND FOR CUSTOMER REFERENCE ONLY.	UNLESS OTHERWISE SPECIFIED TOLERANCES FOR MILLIMETER ARE:	UNLESS OTHERWISE SPECIFIED DIMENSIONS FOR INCHES ARE:
0.5 - 8mm ± 0.20mm	8 - 30mm ± 0.40mm	30 - 120mm ± 0.50mm
.020 - .315 = ± 0.007"	.315 - 1.180 = ± 0.015"	1.180 - 4.724 = ± 0.020"

APPROVALS	DATE	PART DESCRIPTION
DRAWN G.R.S.	04/05/03	BNC FEMALE TO FEMALE BULKHEAD ISOLATED ADAPTER - 50 ohm
CHECKED		
ISSUED		

CAD FILE	DWG. NO.	REV.	SIZE	SCALE
C:/112/112443.DWG	112443.DWG	A	A	NA

**Amphenol** **Comnex**

BNC FEMALE TO FEMALE BULKHEAD  
ISOLATED ADAPTER - 50 ohm

112443