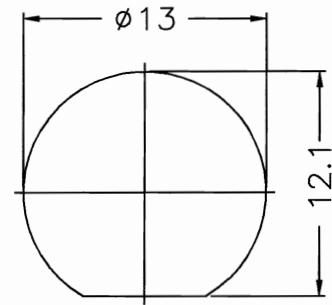
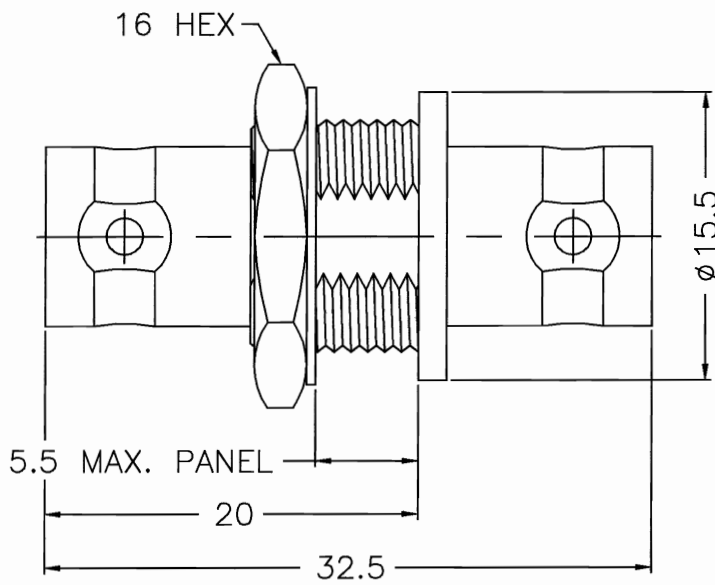



REVISIONS			DWG. NO.	SH	REV.
ZONE	LTR	DESCRIPTION	DATE	APPROVED	



RECOMMENDED
MOUNTING HOLE

DESCRIPTION	MATERIAL	FINISH	QTY	DIMENSIONS ARE IN MILLIMETERS UNLESS OTHERWISE SPECIFIED TOLERANCES ARE:	APPROVALS	DATE							
1	BODY	BRASS	NICKEL		1	DRAWN	B. BURTON	3/5/96	TITLE BNC JACK TO JACK BULKHEAD ADAPTER 50 OHMS				
2	INSULATOR	DELTRIN	NATURAL	1	CHECKED			SIZE				FSCM NO.	DWG. NO.
3	CONTACT PIN	BRASS	GOLD	1	ISSUED			A	99001	112437 .DWG			
								SCALE	3.5:1	PART NO.	112437	SHEET	1 OF 1

DO NOT SCALE DRAWING