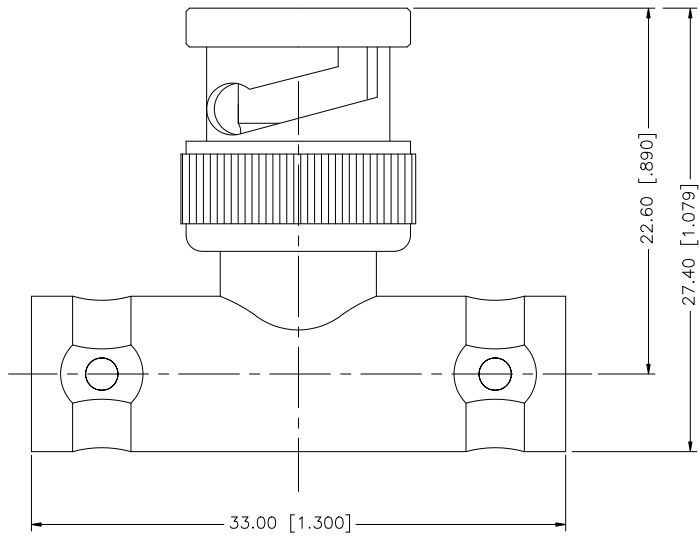


REV.	DATE	DESCRIPTION
NC	05/22/00	INITIAL RELEASE
A	07/16/07	UPDATE DRAWING FORMAT
B	01/09/08	REVISE BODY MATERIAL TO DIECAST, PLATING TO NICKEL



8																				
7																				
6																				
5																				
4																				
3	CONTACT PIN	BRASS	GOLD	1	<small>UNLESS OTHERWISE SPECIFIED DIMENSIONS ARE IN MILLIMETERS. DIMENSIONS IN [] ARE IN INCHES AND FOR CUSTOMER REFERENCE ONLY.</small> <small>UNLESS OTHERWISE SPECIFIED TOLERANCES FOR MILLIMETERS ARE:</small> 0.5 - 8mm ± 0.20mm 8 - 30mm ± 0.40mm 30 - 120mm ± 0.50mm <small>UNLESS OTHERWISE SPECIFIED TOLERANCES FOR INCHES ARE:</small> .020 - .315 = ± 0.007" .315 - 1.180 = ± 0.015" 1.180 - 4.724 = ± 0.020"	APPROVALS	DATE	<h1 style="color: blue;">Amphenol Connex</h1>												
2	INSULATOR	DELTRIN	NATURAL	1		DRAWN	G.R.S.		01/09/08	BNC "T" ADAPTER / JACK-PLUG-JACK 50ohm										
1	BODY	DIECAST	NICKEL	1		CHECKED					PART DESCRIPTION									
	DESCRIPTION	MATERIAL	FINISH	QTY		ISSUED					PART NO.									
					SHEET	1 OF 1		112461												
					DO NOT SCALE DRAWING	CAD FILE	C:/112/112461.DWG	DWG. NO.	112461.DWG	REV.	B	SIZE	A	SCALE	NA					