

4

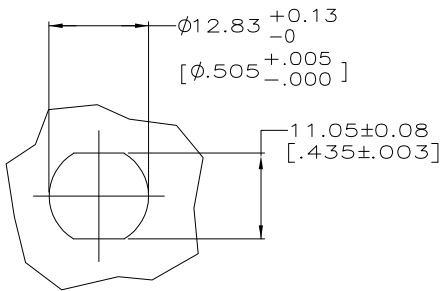
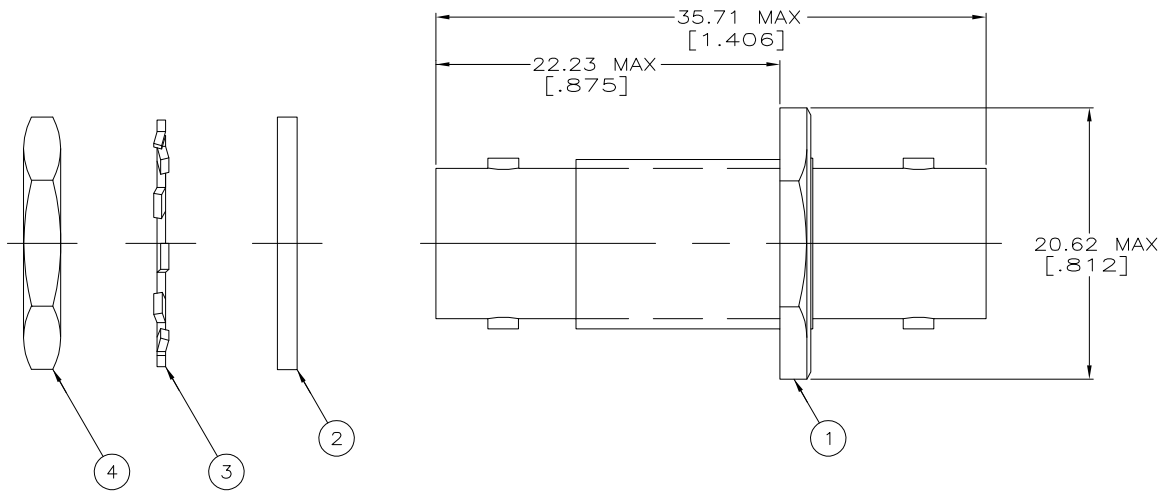
3

2

1

THIS DRAWING IS UNPUBLISHED. RELEASED FOR PUBLICATION
 © COPYRIGHT - BY TYCO ELECTRONICS CORPORATION. ALL RIGHTS RESERVED.

LOC	DIST	REVISIONS			
P	LTR	DESCRIPTION	DATE	DWN	APVD
AJ	16	REV PER ECO 06-002539	07APR06	GB	JH



MAXIMUM PANEL THICKNESS: 3.18 [.125]

SUGGESTED PANEL CUT-OUT
 SCALE 2:1

9-329631-0	9-329632-0	329633	332213	5332215
JAM NUT	LOCKWASHER	GASKET	ADAPTOR ASSY	PART NUMBER
④ QTY=1	③ QTY=1	② QTY=1	① QTY=1	

THIS DRAWING IS A CONTROLLED DOCUMENT.		DWN L. VARELA - DOCKS 21APR2005	Tyco Electronics Corporation Harrisburg, PA 17105-3608	
DIMENSIONS: mm [INCHES]		CHK J. HAVENER 21APR2005	NAME ADAPTER, SERIES TWIN BNC, FEED-THRU JACK	
TOLERANCES UNLESS OTHERWISE SPECIFIED:		APVD J. LIPPERT 21APR2005	SIZE A3	CAGE CODE 00779
0 PLC ± -	1 PLC ± -	PRODUCT SPEC	DRAWING NO C-5332215	RESTRICTED TO
2 PLC ± -	3 PLC ± -	APPLICATION SPEC	WEIGHT	
4 PLC ± -	ANGLES ± -	MATERIAL	CUSTOMER DRAWING	SCALE 4:1
		FINISH		SHEET 1 OF 1
				REV A