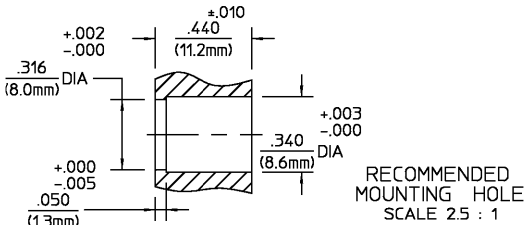
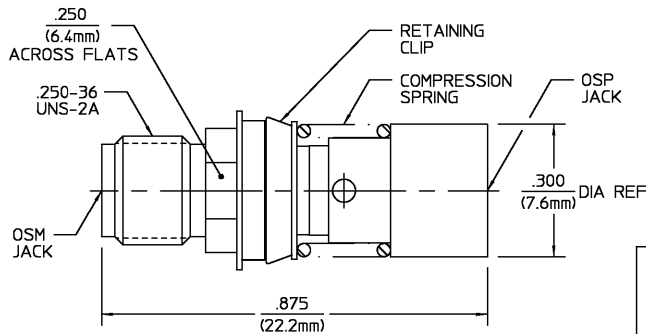


REVISIONS			
REV	DESCRIPTION	DATE	APPROVED
01	REVISED PER ECN 92-0010	11/21/93	<i>[Signature]</i>



COMPONENT	MATERIAL	FINISH
HOUSING BUSHING	STAINLESS STEEL PER ASTM-A484 AND ASTM-A582, TYPE 303	PASSIVATE PER ASTM-A380
SPRING	STAINLESS STEEL	PASSIVATED
DIELECTRIC	TFE FLUOROCARBON PER ASTM-D-1457	N/A
CENTER CONTACT CONTACT SLEEVE	BERYLLIUM COPPER PER ASTM B 196, ALLOY C17300, CONDITION H	GOLD PLATE PER MIL-G-45204 OVER COPPER PLATE PER MIL-C-14550
CONTACT RING	BERYLLIUM COPPER PER ASTM B 194, ALLOY C17200, CONDITION H	GOLD PLATE PER MIL-G-45204 OVER COPPER PLATE PER MIL-C-14550
RETAINING RING	BERYLLIUM COPPER PER ASTM B 194, ALLOY C17200, CONDITION H	GOLD PLATE PER MIL-C-45204

ELECTRICAL	MECHANICAL	ENVIRONMENTAL
Nominal Impedance (Ohms) 50	Interface Dimensions OSM MIL-STD-348A, Fig 310.2	Temperature Rating -65°C to +165°C
Frequency Range (GHz) DC to 18	OSP SEE CATALOG	Vibration MIL-STD-202, Method 204, Condition D.
Volt Rating (VRMS MAX) @ Sea Level 335	Mating Characteristics (OSP & OSM): Insertion (MAX Lbs) 3 Withdrawal (MIN Oz) 1	Shock MIL-STD-202, Method 213, Condition I.
VSWR 1.05 + .005 F(GHz)	Force to Engage: OSM (In-Lbs MAX) 2.0 OSP (Lbs MAX) 3.0	Thermal Shock MIL-STD-202, Method 107, Condition C.
Insertion Loss (dB MAX) .06 √F(GHz)	Force to Disengage: OSM (In-Lbs MAX) 2.0 OSP (Lbs MAX) 1.5	Moisture Resistance MIL-STD-202, Method 106
RF Leakage (dB MIN) -60 @ 2-3 GHz	Contact Retention Axial (Lbs) 6.0	Corrosion - MIL-STD-202, Method 101, Condition B, 5% salt spray
Corona, 70,000 Ft (VRMS MIN) 250	Weight (Grams) TBD	
Dielectric Withstanding Voltage (VRMS MIN) @ Sea Level 1000		
Contact Resistance (MilliOhms MAX)		
Center Contact 4.0		
Outer Contact 2.0		
RF High Potential @ Sea Level (VRMS MIN @ 5 MHz) 670		
IR (Megohms MIN) 5000		

UNLESS OTHERWISE SPECIFIED DIMENSIONS ARE IN INCHES		DRAWN BY	DATE	AMP Incorporated 140 Fourth Avenue Waltham, MA 02451-7599
FRAC.	DEC.	B ST HILLAIRE	5/19/88	
± 1/64	± .005	CREATED BY	6/2/88	
		APPROVED BY	6/23/88	
		S ALLERDICE		
		B CLEVELAND		
TITLE		OSP FLOATING PANEL FEEDTHRU REAR MOUNT JACK TO OSM JACK ADAPTER		
SIZE	CODE IDENT NO.	SCALE	REV	
B	26805	5:1	01	
NO. AP. N/A		SHEET 1 OF 1		

CUSTOMER DRAWING AMP PART # 1059724-1 SHEET 1 OF 1 REV A