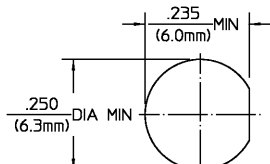
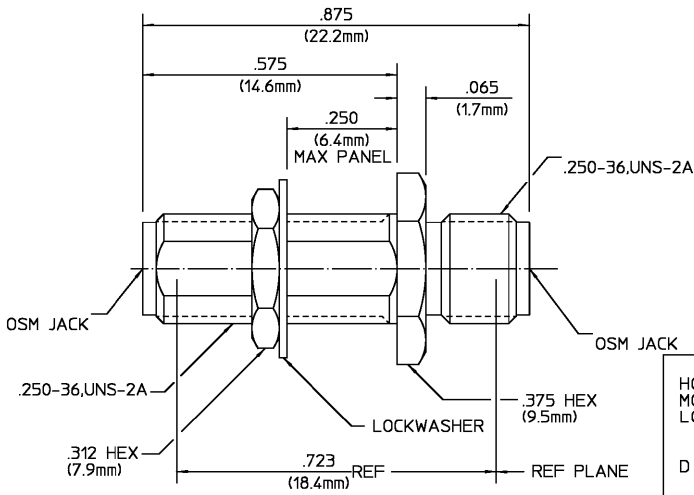


| REVISIONS       |                            |      |          |
|-----------------|----------------------------|------|----------|
| REV             | DESCRIPTION                | DATE | APPROVED |
| 01 <sub>2</sub> | REDRAWN AND UPDATED ON CAD |      |          |

2/22/89 *[Signature]*



NOTES:  
1. CAPTURED CENTER CONTACT

|                                 |   |  |
|---------------------------------|---|--|
| HOUSING MOUNTING NUT LOCKWASHER | STAINLESS STEEL PER ASTM-A484 AND ASTM-A582, TYPE 303 | GOLD PLATE PER MIL-G-45204 OVER NICKLE PLATE PER QQ-N-290    |
| DIELECTRIC                      | TFE FLUOROCARBON PER MIL-P-19468 AND FED SPEC L-P-403 | N/A  |
| CENTER CONTACT                  | BERYLLIUM COPPER PER QQ-C-530, ALLOY 173              | GOLD PLATE PER MIL-G-45204 OVER COPPER PLATE PER MIL-C-14550 |

| COMPONENT | MATERIAL | FINISH |
|-----------|----------|--------|
|-----------|----------|--------|

|  |  |   |
|--|--|---|
| UNLESS OTHERWISE SPECIFIED DIMENSIONS ARE IN INCHES    | DESIGNED BY: <i>[Signature]</i> DATE: 1/25/89                        | AMP Incorporated<br>140 Fourth Avenue<br>Waltham, MA 02451-7599 |
| TOLERANCE ON<br>FRAC. DEC. ANGLES<br>± 1/64 ± .005 ± ° | CHECKED BY: L. ROSS DATE: 2-10-89<br>APPROVED BY: <i>[Signature]</i> |   |

|   |   |                      |                     |              |
|---|---|----------------------|---------------------|--------------|
| <p>These drawings and specifications are the property of Omni Spectra Incorporated and shall not be reproduced or copied or used in whole or in part as the basis for the manufacture or sale of items without written permission.</p> <p>USE ASSY PROCEDURE<br/>2722785</p> <p>NO. AP. N/A</p> | TITLE BULKHEAD FEEDTHROUGH JACK TO JACK ADAPTER |                      | REV 01 <sub>2</sub> |              |
|   | SIZE B  | CODE IDENT NO. 26805 |                     | 2084-0000-00 |
|   | SCALE 5:1                                       | SHEET 1 OF 1         |                     |              |

CUSTOMER DRAWING AMP PART # 1054868-1 SHEET 1 OF 1 REV A