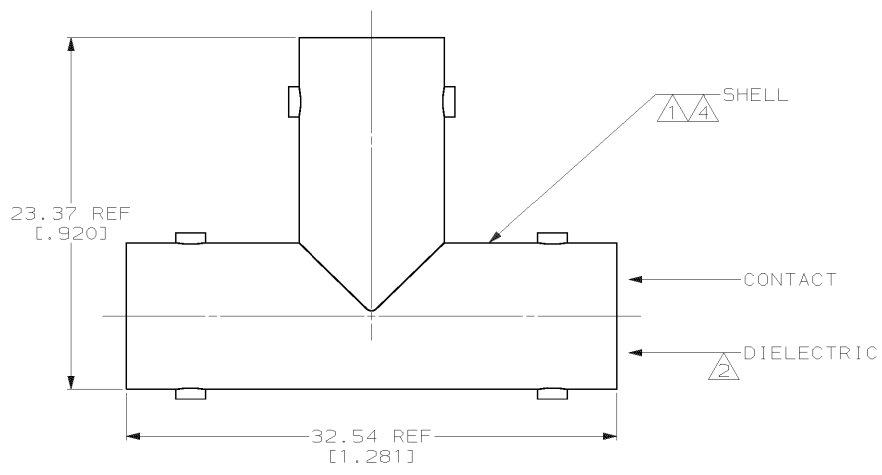


DRAWING MADE IN THIRD ANGLE PROJECTION

THIS DRAWING IS UNPUBLISHED. RELEASED FOR PUBLICATION, 19 .

© COPYRIGHT 19 BY AMP INCORPORATED. ALL INTERNATIONAL RIGHTS RESERVED.

LOC	DIST	P	F	ZONE	LTR	REVISIONS	DATE	APPD
AJ	16				D	REV PER OU20-0343-00	09JAN01	MO



- 1 BRASS PER ASTM-B-16
- 2 PTFE PER MIL-P-19468
- 3 GOLD PLATED PER MIL-G-45204
- 4 NICKEL PLATED PER QQ-N-290
- 5 SILVER PLATED PER QQ-S-365
- 6. PRODUCT MUST BE INTERMATABLE PER MIL-C-39012
- 7 SAME AS 221988-1 EXCEPT PACKAGED 10 PER BOX

SUPERSEDED BY 221988-1	7	221988-5
SUPERSEDED BY 221988-1	3	221988-3
	5	221988-1
CONTACT		PART NUMBER
FINISH		

THIS DRAWING IS A CONTROLLED DOCUMENT FOR AMP INCORPORATED. IT IS SUBJECT TO CHANGE AND THE CONTROLLING ENGINEERING ORGANIZATION SHOULD BE CONTACTED FOR THE LATEST REVISION.

DO NOT SCALE PRINT. UNLESS SPECIFIED DIMENSIONS IN MM (INCHES) TOLERANCES ON: 2 PLC DEC ± - 3 PLC DEC ± - ANGLES ± -		DR 6-24-92 M.E. COWHER CHK 6-29-92 M. PHILLIPS APPD 6-29-92 M. PHILLIPS APPD 7-2-92 M.E. COWHER	AMP AMP Incorporated Harrisburg, PA 17105-3608
MATERIAL	1 2	PRODUCT SPEC	NAME T-ADAPTOR, JACK, BNC
FINISH	3 4 5	APPLICATION SPEC	SIZE B CAGE CODE 00779 DRAWING NO C=221988
		WEIGHT -	SCALE 4:1 SHEET 1 OF 1

CUSTOMER DRAWING