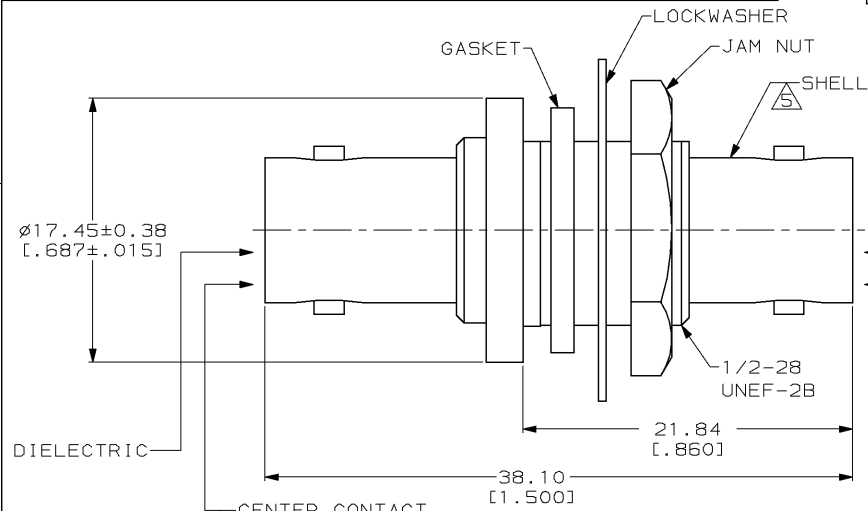


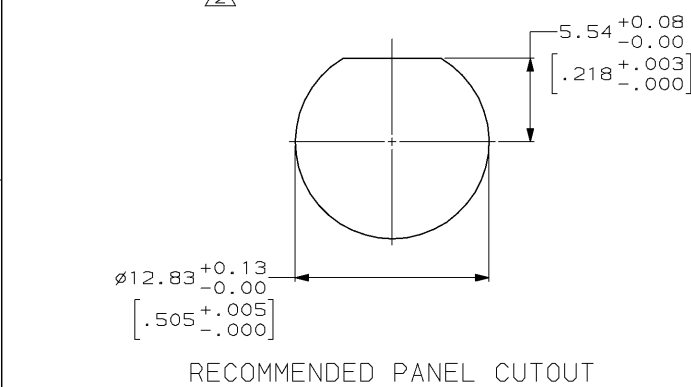
DRAWING MADE IN THIRD ANGLE PROJECTION

THIS DRAWING IS UNPUBLISHED. RELEASED FOR PUBLICATION, 19 .
 © COPYRIGHT 19 BY AMP INCORPORATED. ALL INTERNATIONAL RIGHTS RESERVED.

LOC	DIST	P	F	ZONE	LTR	REVISIONS	DATE	APPD
AJ	16	✓	✓		K	REV PER 0630-0298-98	27AUG98	JH



- 1 MATERIALS:
 DIELECTRIC: PTFE
 CENTER CONTACT: BERYLLIUM COPPER
 SHELL: BRASS
 GASKET: SILICONE
 LOCKWASHER: PHOSPHOR BRONZE
 JAM NUT: BRASS
- 2 SILVER PLATE PER QQ-S-365,
 5.08µm [0.000200] MIN THICKNESS
- 3. PRODUCT MUST BE INTERMATEABLE
 PER MIL-C-39012
- 4. COMPARABLE UG/U CONNECTOR 492D
- 5 NICKEL PLATE PER QQ-N-290,
 2.54µm [0.000100] MIN THICKNESS



330024
PART NUMBER

DO NOT SCALE PRINT. UNLESS SPECIFIED DIMENSIONS IN mm [INCHES] TOLERANCES ON: 2 PLC DEC ± 0.08 [0.003] 3 PLC DEC ± - ANGLES ± -		DR 3-28-92 M.E. COMMER	AMP AMP Incorporated Harrisburg, PA 17105-3608	
MATERIAL 1		CHK 3-2-92 M. PHILLIPS		
FINISH 2 5		APPD 3-2-92 M. PHILLIPS	NAME ADAPTER, JACK, BHD, BNC	
		APPD 3-3-92 M.E. COMMER	SIZE B	CAGE CODE 00779
		PRODUCT SPEC -	DRAWING NO 330024	
		APPLICATION SPEC -	SCALE 4:1	SHEET 1 OF 1
		WEIGHT -		

RECOMMENDED PANEL CUTOUT

CUSTOMER DRAWING