

4

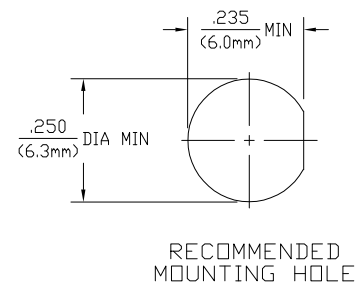
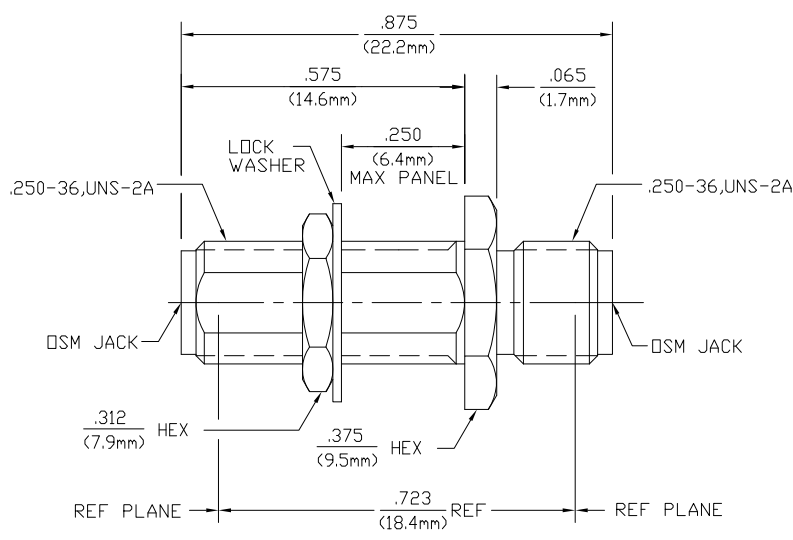
3

2

1

THIS DRAWING IS UNPUBLISHED. RELEASED FOR PUBLICATION
 © COPYRIGHT - BY TYCO ELECTRONICS CORPORATION. ALL RIGHTS RESERVED.

LOC	DIST	REVISIONS					
AJ	16	P	LTR	DESCRIPTION	DATE	DWN	APVD
		B		REVISED PER ECO-05-013872	23NOV05	BM	KW



ELECTRICAL	MECHANICAL	ENVIRONMENTAL
Nominal Impedance (Ohms) 50	Interface Dimensions MIL-STD-348A, Fig. 310.2 BOTH ENDS	TEMPERATURE RATING -65°C TO +125°C
Frequency Range (GHz) DC to 18	Recommended Mating Torque N/A	Vibration MIL-STD-202, Method 204, Condition D.
Volt Rating (VRMS MAX) @ Sea Level 335	Mating Characteristics: Insertion (MAX Lbs) 3.0	Shock MIL-STD-202, Method 213, Condition I.
VSWR 1.05 +.005	Withdrawal (MIN Oz) 1.0	Thermal Shock MIL-STD-202, Method 107, Condition C, except HIGH TEMP SHALL BE +115°C.
Insertion Loss (dB MAX) .03 √F(GHz)	Force to Engage and Disengage (In-Lbs MAX) 2.0	Moisture Resistance MIL-STD-202, Method 106
RF Leakage (dB MIN) 60 @ 2 to 3 GHz	Center Contact Captivation Axial (Lbs) 6.0	Corrosion - MIL-STD-202, Method 101, Condition B, 5% salt spray
Corona, 70,000 Ft (VRMS MIN) 250	Radial (In-Oz) 4.0	
Dielectric Withstanding Voltage (VRMS MIN) @ Sea Level 1,500	Cable Retention Axial Force (Lbs) N/A	
Contact Resistance (Milliohms MAX) Center Contact 4.0	Torque (In-Oz) N/A	
Outer Contact 2.0	Weight (Grams) 3.8	
Cable to Housing N/A		
RF High Potential @ Sea Level (VRMS MIN @ 5 MHz) 670		
I.R.(Megohms MIN) 5,000		

HOUSING	STAINLESS STEEL PER ASTM-A484 AND ASTM-A582, TYPE 303	PASSIVATE PER ASTM-A380
DIELECTRIC	TFE FLUOROCARBON PER ASTM-D-1457	N/A
CENTER CONTACT	BERYLLIUM COPPER PER ASTM B 196, ALLOY C17300, CONDITION H	GOLD PLATE PER MIL-G-45204 OVER COPPER PLATE PER MIL-C-14550
COMPONENT	MATERIAL	FINISH
THIS DRAWING IS A CONTROLLED DOCUMENT.		
DIMENSIONS: INCHES[mm]	TOLERANCES UNLESS OTHERWISE SPECIFIED:	
	0 PLC ± -	
	1 PLC ± -	
	2 PLC ± -	
	3 PLC ± .005	
	4 PLC ± -	
	ANGLES ± 1°	
MATERIAL	FINISH	
-	-	

KIT	1054869-3
BULK	1054869-1
PACKAGING	PART NUMBER
DWN E.F.HDYLE 1/25/89 CHK L.ROSS 2/10/89 APVD 2/22/89 PRODUCT SPEC APPLICATION SPEC WEIGHT CUSTOMER DRAWING	
Tyco Electronics Corporation Harrisburg, PA 17105-3608 NAME OSM BULKHEAD FEEDTHROUGH JACK TO JACK ADAPTER SIZE CAGE CODE DRAWING NO RESTRICTED TO A3 00779 C=1054869 -	
SCALE 5:1	SHEET 1 of 1 REV B

AMP 1470-19 REV 31MAR2000