

4

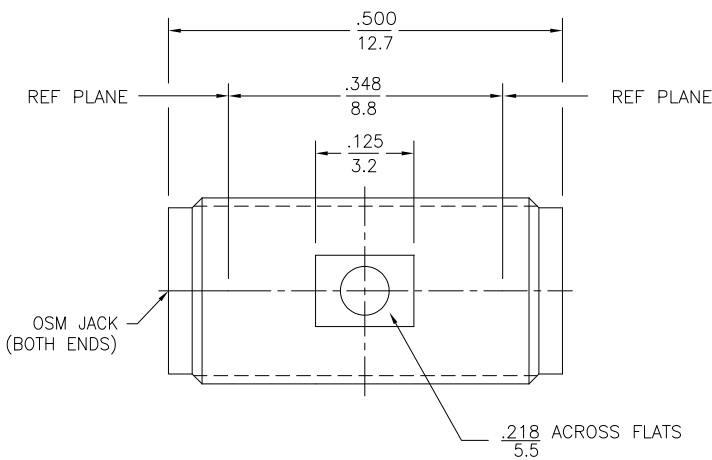
3

2

1

THIS DRAWING IS UNPUBLISHED. RELEASED FOR PUBLICATION  
 COPYRIGHT - BY TYCO ELECTRONICS CORPORATION. ALL INTERNATIONAL RIGHTS RESERVED.

LOC	DIST	REVISIONS				
P	LTR	DESCRIPTION	DATE	DWN	APVD	
AJ	00					
A		REVISED	12/08/93	-	APD	
B		REVISED PER ECO-08-030676	02-26-09	AEG	JKO	



- ① BRASS
- ② STAINLESS STEEL
- ③ BERYLLIUM COPPER
- ④ PTFE
- ⑤ GOLD PLATE
- ⑥ PASSIVATED
- ⑦ SILICONE RUBBER
- ⑧ NICKEL PLATE

ELECTRICAL	MECHANICAL	ENVIRONMENTAL
Nominal Impedance (Ohms) 50	Interface Dimensions MIL-STD-348A, Fig. 310.2	TEMPERATURE RATING -65°C TO 165°C
Frequency Range (GHz) DC to 18	Recommended Mating Torque 7 - 10 in-lbs	Vibration MIL-STD-202, Method 204, Condition D
Volt Rating (VRMS MAX) @ Sea Level 335	Mating Characteristics:	Shock MIL-STD-202, Method 213, Condition I
VSWR 1.05 + .005 f(GHz)	Insertion (MAX Lbs) 3.0	Thermal Shock MIL-STD-202, Method 107, Condition C
Insertion Loss (dB MAX) .06 √f(GHz)	Withdrawal (MIN Oz) 1.0	Moisture Resistance MIL-STD-202, Method 106, Except Vibration Shall Be Omitted
RF Leakage (dB MIN) -[60-f(GHz)]	Force to Engage and Disengage (In/Lbs MAX) 2.0	Corrosion - MIL-STD-202, Method 101, Condition B, 5% salt spray
Dielectric Withstanding Voltage (VRMS MIN) @ Sea Level 1500	Center Contact Captivation	
Contact Resistance (Milliohms MAX)	Axial (Lbs) 6.0	
Center Contact 4.0	Radial (In/Oz) N/A	
Outer Contact 2.0	Cable Retention	
Cable to Housing N/A	Axial Force (Lbs) N/A	
RF High Potential @ Sea Level (VRMS MIN @ 5 MHz) 670	Torque (In/Oz) N/A	
I.R.(Megohms MIN) 5,000	Weight (Grams) 2.0	

THIS DRAWING IS A CONTROLLED DOCUMENT.

DIMENSIONS: INCHES	TOLERANCES UNLESS OTHERWISE SPECIFIED:
0 PLC ± -	1 PLC ± -
1 PLC ± -	2 PLC ± -
2 PLC ± -	3 PLC ± .005
3 PLC ± .005	4 PLC ± -
4 PLC ± -	ANGLES ± 1°
MATERIAL	FINISH
-	-

DWN BWC 12/27/67	Tyco Electronics Corporation Harrisburg, PA 17105-3608		
CHK - 12/21/67	NAME D.NANIA		
APVD D.NANIA 12/21/67	PRODUCT SPEC		
APPLICATION SPEC	CONTACT DIELECTRIC HOUSING TE PN		
WEIGHT -	SIZE A3	CAGE CODE 00779	DRAWING NO C=1053489
CUSTOMER DRAWING	SCALE 8:1	SHEET 1 of 1	REV B

1470-19 (1/08)