

4

3

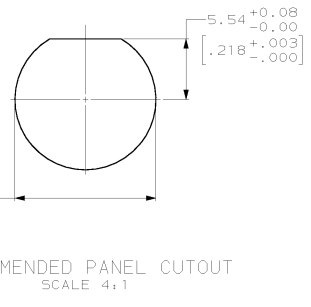
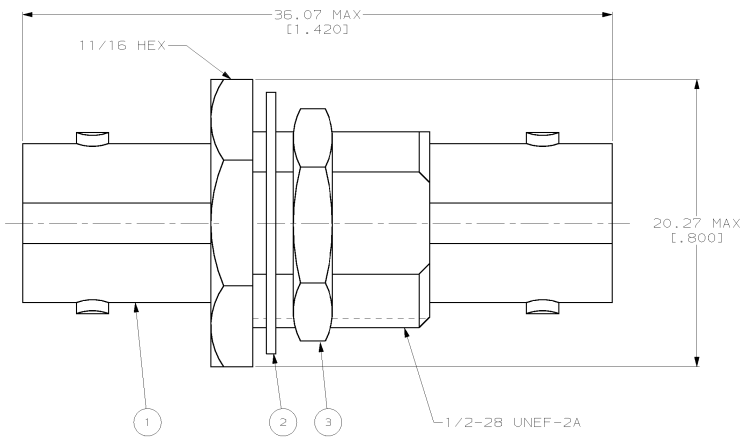
2

1

THIS DRAWING IS UNPUBLISHED. RELEASED FOR PUBLICATION. (C) COPYRIGHT IS BY AMP INCORPORATED. ALL RIGHTS RESERVED.

REVOLUTIONS		DATE	BY	APP'D
LOC	QTY	DESCRIPTION		
AJ	16	REV PER 0020-0186-99	25FCB00	ND JH

- 1. PARTS PACKAGED UNASSEMBLED
- 2. PANEL THICKNESS = 6.35 [0.250] MAX



1-329631-2	1-329632-2	222118-1	222117-1
3 JAM NUT QTY=1	2 LOCK WASHER QTY=1	1 JACK ADAPTOR ASSY QTY=1	PART NUMBER
THIS DRAWING IS A CONTROLLED DOCUMENT.		AMP	AMP Incorporated Harrisburg, PA 17105-3608
DIMENSIONS mm (INCHES)	PRODUCT SPEC.	APPLICATION SPEC	RESTRICTED TO
PLC +- D PLC +- D PLC +- D PLC +- K PLC +- ANGLES	FINISH	WEIGHT	SCALE 5:1 SHEET 1 OF 1 REV A
CUSTOMER DRAWING		SIZE CASE CODE (PRINTING NO)	A2[00779] C= 222117-1

222117-1