

4

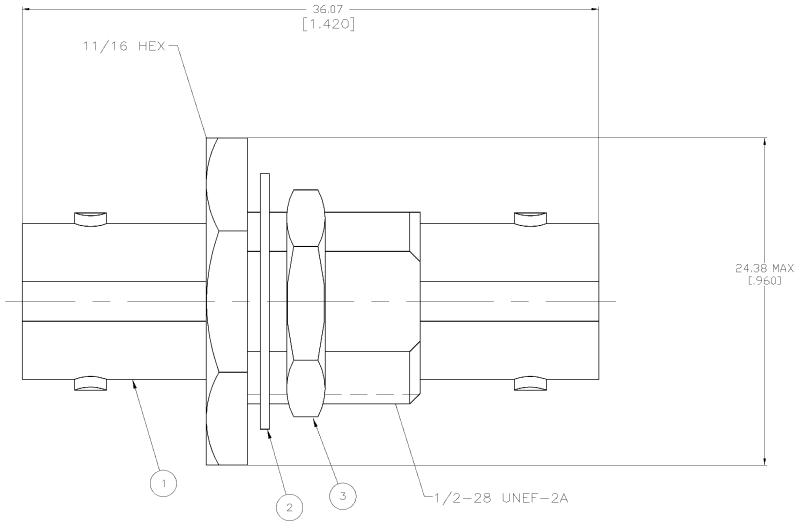
3

2

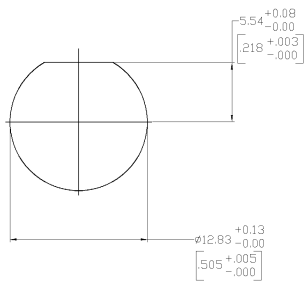
1

THIS DRAWING IS UNPUBLISHED. RELEASED FOR PUBLICATION
 © 2019 Tyco Electronics Corporation. ALL RIGHTS RESERVED.

| LOC | DIST | REVISIONS | | | |
|-----|------|-----------|------------------------------|---------|---------|
| | | REV | DESCRIPTION | DATE | BY |
| AJ | 16 | H | REV & RDRWN PER GS14-0044-01 | 25MAR02 | SWB, KW |



- 1. PARTS PACKAGED UNASSEMBLED
- 2. PANEL THICKNESS = 6.35 [.250] MAX



| OBSOLETE | 1-329631-2 | 1-329632-2 | 228255-1 | 228226-4 |
|------------------------|------------|------------|----------|----------|
| SUPERSEDED BY 228226-1 | 1-329631-2 | 1-329632-2 | 228255-2 | 228226-3 |
| | 1-329631-2 | 1-329632-2 | 228259-1 | 228226-2 |
| | 1-329631-2 | 1-329632-2 | 228255-1 | 228226-1 |

| QTY=1 | QTY=1 | QTY=1 | PART NUMBER |
|-----------|---------------|-------------------------|-------------|
| 3 JAM NUT | 2 LOCK WASHER | 1 JACK ADAPTOR ASSEMBLY | |

| | | | | |
|---------------------------------------|--|---------------------------|--|------------------|
| THIS DRAWING IS A CONTROLLED DOCUMENT | | DW: M.E. COWHER 12/14/92 | Tyco Electronics Corporation MIDDLETOWN, PA 17057 | |
| DIMENSIONS: MM | | CHK: M. PHILLIPS 22/11/92 | JACK - JACK ADAPTOR, BND, BNC | |
| DIMENSIONS: INCHES (PARETO) | | APP: M. PHILLIPS | RESTRICTED TO | |
| DIMENSIONS: ANGLES | | PRODUCT SPEC: - | SIZE: A2 | DATE CODE: 00779 |
| MATERIAL: FRESH | | APPLICATION SPEC: - | DRAWING NO: C=228226 | REV: H |
| | | WEIGHT: - | SCALE: 5:1 | SHEET 1 OF 1 |
| | | CUSTOMER DRAWING | | |

AMP 1471-9 REV 31MAR0000

18MAR2002 10:42am AMP27463 H:\TECacad\0514-0044-01\228226_c_h.dwg

228226

A