

4

3

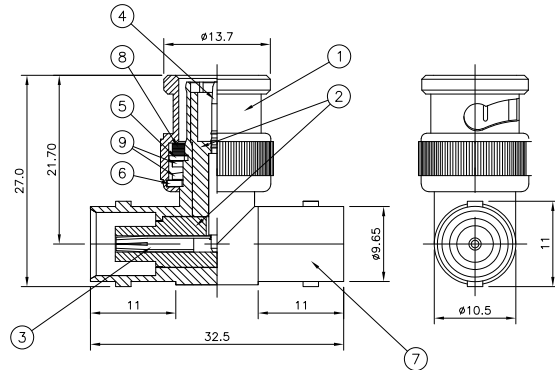
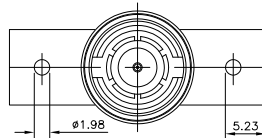
2

1

THIS DRAWING IS UNPUBLISHED. RELEASED FOR PUBLICATION AUGUST, 2005.  
 © COPYRIGHT 2005 BY TYCO ELECTRONICS CORPORATION. ALL RIGHTS RESERVED.

LOC		DIST		REVISIONS			
P	LTR	DESCRIPTION	DATE	DWN	APVD		
B		ECO-09-003420	10 Mar 09	RITA	BOB		

- NOTES**
- 1. 100 TRAY PACK IN ACCORDANCE WITH AMP SPEC 107-3275
  - 2. SINGLE PACK IN ACCORDANCE WITH AMP SPEC 107-3275
  - 3. Au PLATING OVER Ni PLATING OVER Cu PLATING
  - 4. Ni PLATING OVER Cu PLATING
  - 5. FOR TECHNICAL DATA REFER TO YOUR LOCAL TYCO ELECTRONICS SALES OFFICE
  - 6. ALL DIMENSIONS ARE NOMINAL FOR REFERENCE ONLY UNLESS OTHERWISE STATED



QTY	UNIT	MATERIAL	DESCRIPTION	ITEM
1	1	SPRING STEEL	SPRING	9
1	1	SILCON RUBBER	GASKET	8
1	1	ZINC ALLOY	WASHER	7
1	1	BRASS	WASHER	6
1	1	BRASS	CIRCLIP	5
1	1	BRASS	MALE CONTACT	4
1	1	PHOSPHOR BRONZE	FEMALE CONTACT	3
2	2	PE-606	INSULATOR	2
1	1	ZINC ALLOY	SHELL	1
5--1	5--0	MATERIAL	DESCRIPTION	ITEM

THIS DRAWING IS A CONTROLLED DOCUMENT.		DWN RITA ZUO 10 Mar 09		Tyco Electronics Corporation Kunshan, Jiangsu, PRC 215312															
DIMENSIONS: MM		CHK ANSON MA 10 Mar 09		NAME BNC T-ADAPTOR 50 OHMS															
<table border="1"> <thead> <tr> <th>TOLERANCES UNLESS OTHERWISE SPECIFIED:</th> <th></th> </tr> </thead> <tbody> <tr><td>0 PLC</td><td>± 0.5</td></tr> <tr><td>1 PLC</td><td>± 0.3</td></tr> <tr><td>2 PLC</td><td>± 0.2</td></tr> <tr><td>3 PLC</td><td>± -</td></tr> <tr><td>4 PLC</td><td>± -</td></tr> <tr><td>ANGLES</td><td>± -</td></tr> </tbody> </table>		TOLERANCES UNLESS OTHERWISE SPECIFIED:		0 PLC	± 0.5	1 PLC	± 0.3	2 PLC	± 0.2	3 PLC	± -	4 PLC	± -	ANGLES	± -	APVD BOB ZHAO 10 Mar 09		RESTRICTED TO	
TOLERANCES UNLESS OTHERWISE SPECIFIED:																			
0 PLC	± 0.5																		
1 PLC	± 0.3																		
2 PLC	± 0.2																		
3 PLC	± -																		
4 PLC	± -																		
ANGLES	± -																		
MATERIAL SEE TABLE		PRODUCT SPEC 108-112000		SIZE A3															
FINISH SEE TABLE		APPLICATION SPEC		CAGE CODE 00779															
		WEIGHT		DRAWING NO 1634532															
		CUSTOMER DRAWING		SCALE NTS															
				SHEET 1 OF 1															
				REV B															