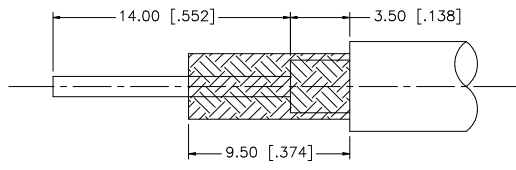
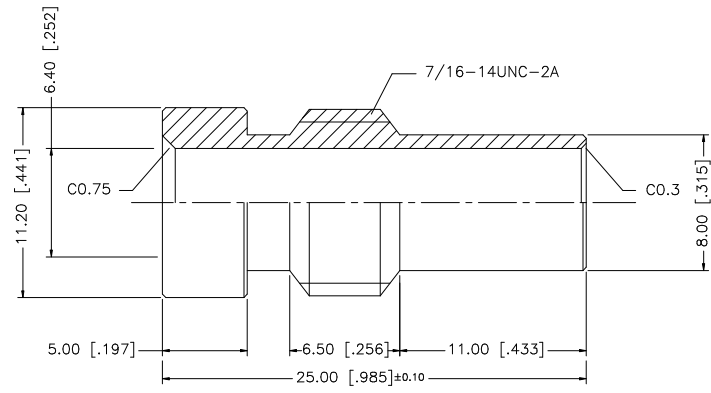


REV.	DATE	DESCRIPTION
NC	05/24/07	INITIAL RELEASE



RECOMMENDED CABLE STRIPPING DIMS.



8				<small>UNLESS OTHERWISE SPECIFIED DIMENSIONS ARE IN MILLIMETERS. DIMENSIONS IN [] ARE IN INCHES AND FOR CUSTOMER REFERENCE ONLY.</small> <small>UNLESS OTHERWISE SPECIFIED TOLERANCES FOR MILLIMETERS ARE:</small> 0.5 - 8mm ± 0.20mm 8 - 30mm ± 0.40mm 30 - 120mm ± 0.50mm <small>UNLESS OTHERWISE SPECIFIED TOLERANCES FOR INCHES ARE:</small> .020 - .315 = ± 0.007" .315 - 1.180 = ± 0.015" 1.180 - 4.724 = ± 0.020"	APPROVALS	DATE	<h1 style="color: blue;">Amphenol Connex</h1>	
7					DRAWN	G.R.S.		05/24/07
6					CHECKED			
5					ISSUED			
4					SHEET	1 OF 1		
3								
2								
1	REDUCER	ZINC	SILVER		1			
	DESCRIPTION	MATERIAL	FINISH	QTY	DO NOT SCALE DRAWING	CAD FILE	C:/182/182108S.DWG	
						DWG. NO.	182108S.DWG	
						REV.	NC	
						SIZE	A	
						SCALE	NA	

Amphenol Connex

REDUCER
(FOR RG-59/U)

PART NO.
182108S