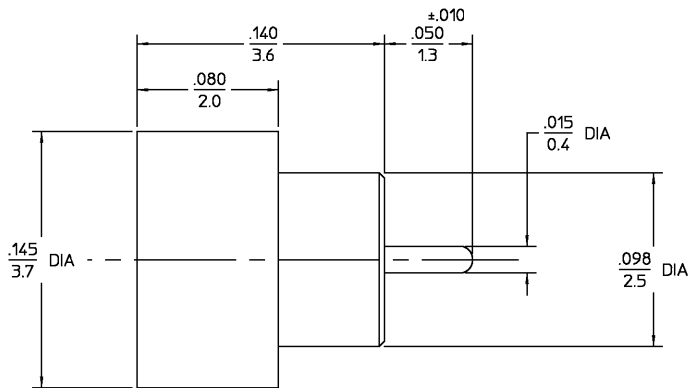
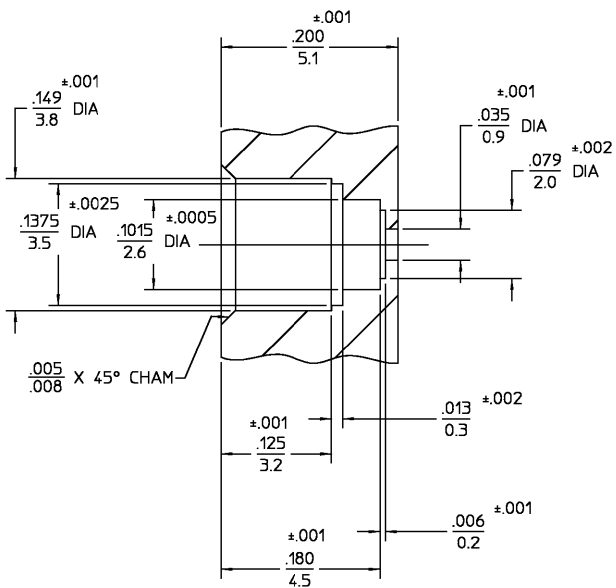


REVISIONS			
REV	DESCRIPTION	DATE	APPROVED
01 ₁	REVISED	BMH 2/24/97	DCM 2/24/97



CONTACT EXT HOUSING	IRON NICKEL COBALT SEALING ALLOY (KOVAR) PER ASTM F15-78	GOLD PLATE PER MIL-G-45204
DIELECTRIC	CORNING GLASS 7070	N/A
COMPONENT	MATERIAL	FINISH
UNLESS OTHERWISE SPECIFIED DIMENSIONS ARE IN INCHES		
TOLERANCE ON		
FRAC.	DEC	ANGLES
+ 1/64	+ .005	+ °
DRAWN BY <i>PHC</i> DATE 1/30/95		
CHECKED BY <i>PHC</i> DATE 8/23/95		
APPROVED BY <i>PHC</i> DATE 8/23/95		
USE ASSY PROCEDURE		
NO. A.P. N/A		
AMP Incorporated 140 Fourth Avenue Waltham, MA 02451-7599		
TITLE OSMP SOLDER-IN SHROUD FULL DETENT		
SIZE	CODE IDENT NO.	REV
B	26805	2998-5054-94
SCALE	20 : 1	
		SHEET 1 OF 1

.XXX = in
XX.X = mm

RECOMMENDED MOUNTING HOLE

CUSTOMER DRAWING AMP PART # 1056750-1 SHEET 1 OF 1 REV A