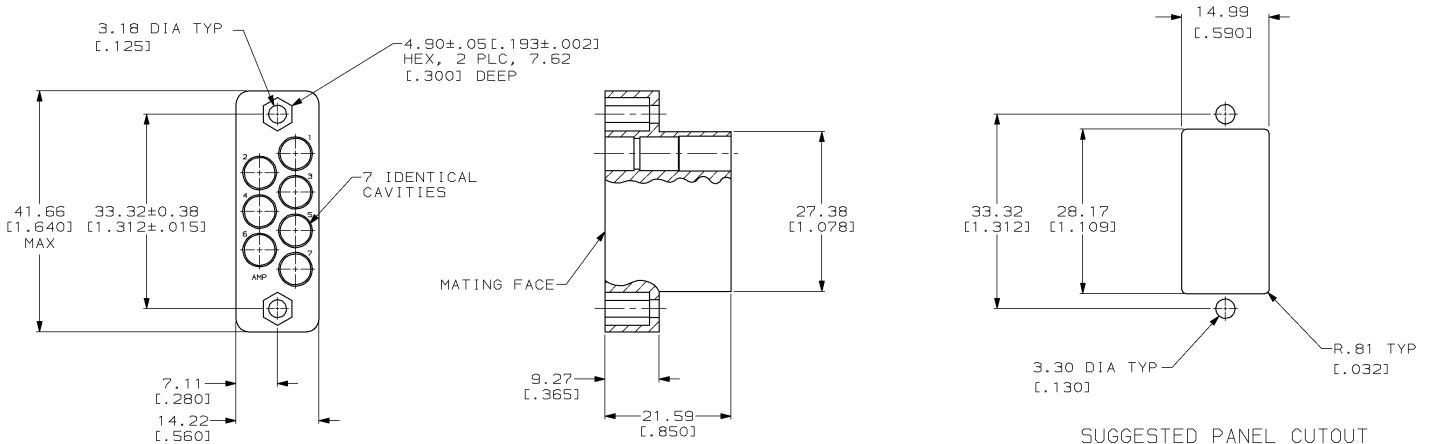


DRAWING MADE IN THIRD ANGLE PROJECTION  
 THIS DRAWING IS UNPUBLISHED. RELEASED FOR PUBLICATION  
 © COPYRIGHT 19 BY AMP INCORPORATED. ALL INTERNATIONAL RIGHTS RESERVED.

REVISIONS								
LOC	DIST	P	F	ZONE	LTR	DESCRIPTION	DATE	APPD
AJ	16				U	REACTIVATE PER 0630-0391-98	10-05-98	MO



PHENOLIC (MIL-M-14F), BLACK	50063-1
MATERIAL	PART NUMBER

DO NOT SCALE PRINT. UNLESS SPECIFIED DIMENSIONS IN mm [INCHES] TOLERANCES ON : 2 PLC DEC # .20 [1.008] 3 PLC DEC # ANGLES ± -		DR 12/21/92 J.DAVIS	PART NO	
MATERIAL	SEE TABLE	CHK 12/21/92 J.McCLEOD	AMP AMP Incorporated Harrisburg, PA 17105-3608	
FINISH	-	APPD 12/21/92 J.DAVIS	NAME 7 POSN MIN COAX MALE BLOCK	
WEIGHT	.282 OZ.	APPLICATION SPEC	SIZE CAGE CODE 00779	DRAWING NO 50063
			SCALE 2:1	SHEET 1 OF 1

THIS DRAWING IS A CONTROLLED DOCUMENT FOR AMP INCORPORATED. IT IS SUBJECT TO CHANGE AND THE CONTROLLING ENGINEERING ORGANIZATION SHOULD BE CONTACTED FOR THE LATEST REVISION.

CUSTOMER DRAWING