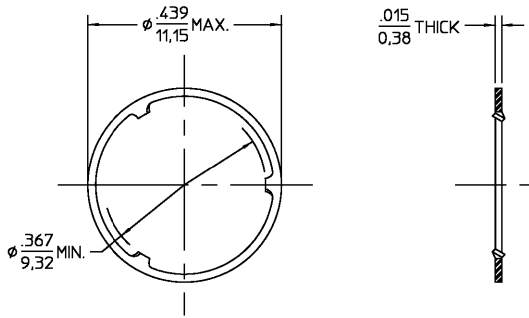


| REVISIONS       |             |         |          |
|-----------------|-------------|---------|----------|
| REV             | DESCRIPTION | DATE    | APPROVED |
| 01 <sub>0</sub> | RELEASED    | 2/19/99 |          |



.XXX = in  
XX.X = mm (REF)

|  |                    |                              |   |
|--|--------------------|------------------------------|---|
| LOCKWASHER   | CARBON STEEL 1050  | NICKEL PLATE<br>PER QQ-N-290 |   |
| COMPONENT  | MATERIAL           | FINISH                       |   |
| UNLESS OTHERWISE SPECIFIED<br>DIMENSIONS ARE IN INCHES<br>FRAC.<br>+ 1/64<br>DEC.<br>+ .005<br>ANGLES<br>+ °   | DRAWN BY<br>DMM    | DATE<br>2/19/99              | AMP Incorporated<br>140 Fourth Avenue<br>Waltham, MA 02451-7599 |
|  | CHECKED BY         | APPD BY<br>                  |   |
| These drawings and specifications are the property of AMP Interconnect Division and shall not be reproduced or copied or used in whole or in part as the basis for the manufacture or sale of items) without written permission. | USE ASSY PROCEDURE | TITLE<br>LOCKWASHER          |   |
|  | NO. A.P. N/A       | SIZE<br>B                    | CODE IDENT NO.<br>26805   |
|  |                    | SCALE<br>5:1                 | 4598-5075-10  |
|  |                    |                              | SHEET 1 OF 1  |

CUSTOMER DRAWING

AMP PART # 1059782-1  
SHEET 1 OF 1 REV A