

4

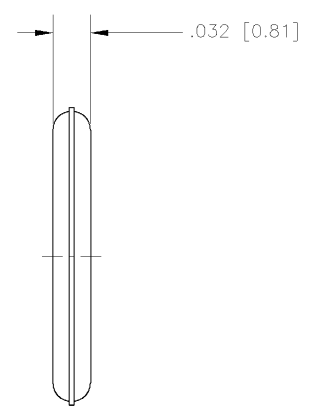
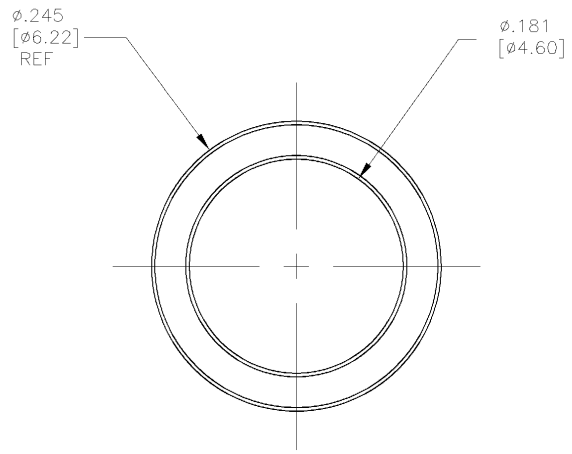
3

2

1

THIS DRAWING IS UNPUBLISHED. RELEASED FOR PUBLICATION  
 © COPYRIGHT BY TYCO ELECTRONICS CORPORATION. ALL RIGHTS RESERVED.

LOC	DIST	REVISIONS			
P	LTR	DESCRIPTION	DATE	DWN	APVD
		RELEASED PER OS14-0176-02.	-	JGH	JGH



COLOR	MATERIAL	PART NUMBER
BLUE	FLOUROSILICONE PER MIL-R-25988, CLASS I, TYPE I	1405027-2
BLACK	BUNA N (NITRILE) PER MIL-P-25732	1405027-1

THIS DRAWING IS A CONTROLLED DOCUMENT.		DWN J. HAVENER 17APR2002	 Tyco Electronics Corporation Harrisburg, PA 17105-3608	
DIMENSIONS: INCHES (mm)		CHK J. HAVENER 25APR02		
TOLERANCES UNLESS OTHERWISE SPECIFIED:		APVD J. HAVENER 25APR02	NAME GASKET, O-RING, OSP (4500-26)	
0 PLC ± -	 ± .005 [0.13] ± - ± - ± -	PRODUCT SPEC N/A	SIZE A3	
1 PLC ± -		APPLICATION SPEC N/A	CAGE CODE 00779	
2 PLC ± -		WEIGHT -	DRAWING NO 1405027	RESTRICTED TO -
3 PLC ± -		MATERIAL SEE TABLE	CUSTOMER DRAWING	SCALE 12:1
4 PLC ± -	FINISH N/A		SHEET 1 OF 1	
ANGLES ± -			REV 0	

AMP 1470-19 REV 31MAR2000

H:\ECs\dmmod\