

4

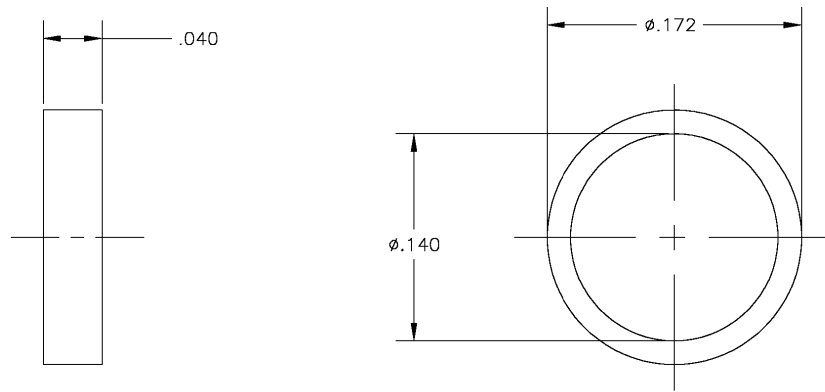
3

2

1

THIS DRAWING IS UNPUBLISHED. RELEASED FOR PUBLICATION  
 © COPYRIGHT - BY TYCO ELECTRONICS CORPORATION. ALL RIGHTS RESERVED.

LOC	DIST	REVISIONS			
P	LTR	DESCRIPTION	DATE	DWN	APVD
HC	00	A	RELEASE	2/4/03	- DCam



NOTE:  
 1. MATERIAL: CONDUCTIVE ELASTOMERS PER MIL-G-83528

1055344-1  
 PART NO

THIS DRAWING IS A CONTROLLED DOCUMENT.		DWN DCam	04FEB2003	<b>tyco</b> Electronics	Tyco Electronics Corporation Norwood, MA 02062	
DIMENSIONS: INCHES		CHK -	APVD DCam		2/4/03	NAME GASKET (2098-3333-54)
TOLERANCES UNLESS OTHERWISE SPECIFIED:		PRODUCT SPEC		SIZE A3		
0 PLC ± -	1 PLC ± -	APPLICATION SPEC		CAGE CODE 00779	DRAWING NO C=1055344	RESTRICTED TO
2 PLC ± -	3 PLC ± .005	WEIGHT		SCALE 15:1		
4 PLC ± -	ANGLES ± 1	MATERIAL		SHEET 1 OF 1		
FINISH		CUSTOMER DRAWING		REV A		

AMP 1470-19 REV 31MAR2000