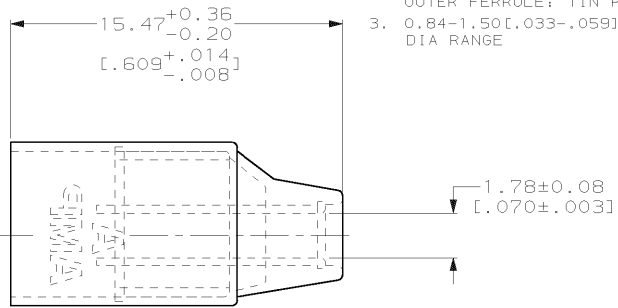
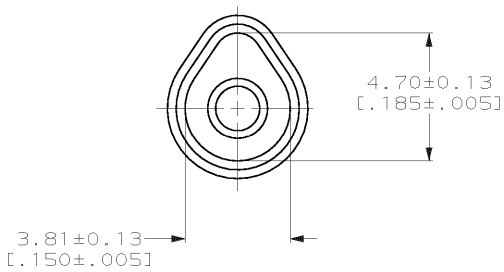


DRAWING MADE IN THIRD ANGLE PROJECTION

THIS DRAWING IS UNPUBLISHED. RELEASED FOR PUBLICATION, 1999
 © COPYRIGHT 1999 BY AMP INCORPORATED. ALL INTERNATIONAL RIGHTS RESERVED.

LOC	DIST	REVISIONS				
P	F	ZONE	LTR	DESCRIPTION	DATE	APPD
AJ	16		M	REV PER 0020-0163-99	08NOV99	MO

- △ MATERIALS:
 INNER FERRULE: BRASS PER MIL-C-50
 OUTER FERRULE: COPPER PER QQ-C-575
 MOLDING: NYLON (COLOR: VIOLET)
- △ FINISH:
 INNER FERRULE: TIN PL PER MIL-T-10727
 OUTER FERRULE: TIN PL PER MIL-T-10727
- 3. 0.84-1.50 [.033-.059] PRIMARY INSULATION DIA RANGE



THIS DRAWING IS A CONTROLLED DOCUMENT FOR AMP INCORPORATED. IT IS SUBJECT TO CHANGE AND THE CONTROLLING ENGINEERING ORGANIZATION SHOULD BE CONTACTED FOR THE LATEST REVISION.

		PART NO	
DO NOT SCALE PRINT. UNLESS SPECIFIED DIMENSIONS IN MM [INCHES] TOLERANCES ON: 2 PLC DEC ± -.01(.008) 3 PLC DEC ± - ANGLES ± -	DR 01/13/93 J.DAVIS	AMP AMP Incorporated Harrisburg, PA 17105-3608	
MATERIAL △	CHK 02/05/93 G.MICHAEL	NAME CONN, COAX, R.F., TERMASHIELD, FERRULE	
FINISH △	APPD 02/05/93 J.DAVIS	SIZE B	CAGE CODE 00779
	APPD 02/05/93 G.MICHAEL	DRAWING NO C=329331	
	PRODUCT SPEC -	SCALE NTS	SHEET 1 OF 1
	APPLICATION SPEC -		
	WEIGHT .024 OZ		

AMP 1470-15 REV 3-92
08-NOV-99 08:25:44 amp0507000372

CUSTOMER DRAWING