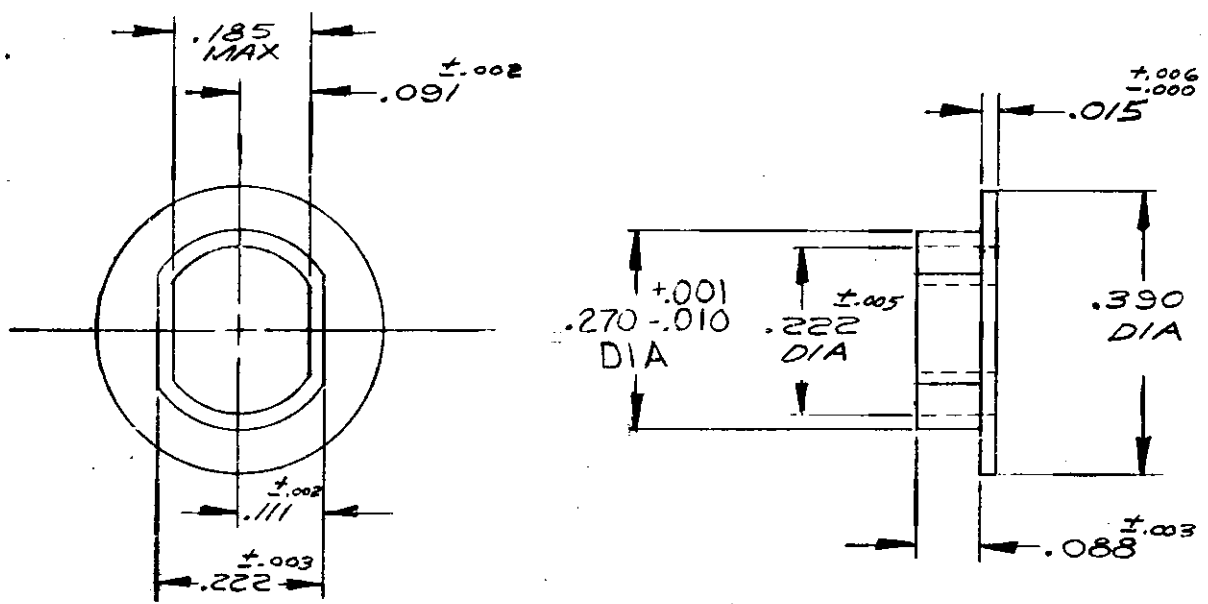


DRAWING MADE IN AMERICAN PROJECTION

MOD 13 LOC AU PRINT DISB 16 E

© 1973 BY AMP INCORPORATED. ALL RIGHTS RESERVED. AMP AND LOGO ARE REGISTERED TRADEMARKS OF AMP INCORPORATED. REPRODUCTION OF THIS DRAWING WITHOUT WRITTEN PERMISSION OF AMP INCORPORATED IS PROHIBITED.

REVISIONS			
LTR	DESCRIPTION	DATE	APPROVED
C	REDRAWN W/O CHANGE	7-9-73	CEP
D	ADD WEIGHT	7-30-80	Gum
E	REVISED C79-366	10-27-80	ms JTW
F	.270 ^{+0.001} / _{-0.010} WAS .2620±.0025 AJ-1434	9/16/85	m/h Jwl



329486

UNLESS OTHERWISE SPECIFIED DIMENSIONS ARE IN INCHES
TOLERANCES ON:
DECIMALS ± .008
ANGLES ± 5°

MATERIAL
NYLON
(MIL-M-20693A) TYP
COLOR: NATURAL

CONTRACT NO. — 4 —

DR. *Charles J. Smith* 7/11/73

CHK. *D. Smith* 7/11/73

APPD. *R. Williams* 10-27-80

REL. *J. Fourtz* 7-11-73

DSGN APPD. *J*

OTHER APPD.



AMP INCORPORATED
HARRISBURG, PENNSYLVANIA

NAME
CONNECTOR, COAXIAL, R.F.
MINIATURE THREADED SERIES
BUSHING-MALE

SIZE A	CODE IDENT NO. 00779	NUMBER 329486
------------------	--------------------------------	-------------------------

SCALE 4:1	WEIGHT .002 oz	SHEET 1 OF 1
------------------	-----------------------	---------------------