

4

3

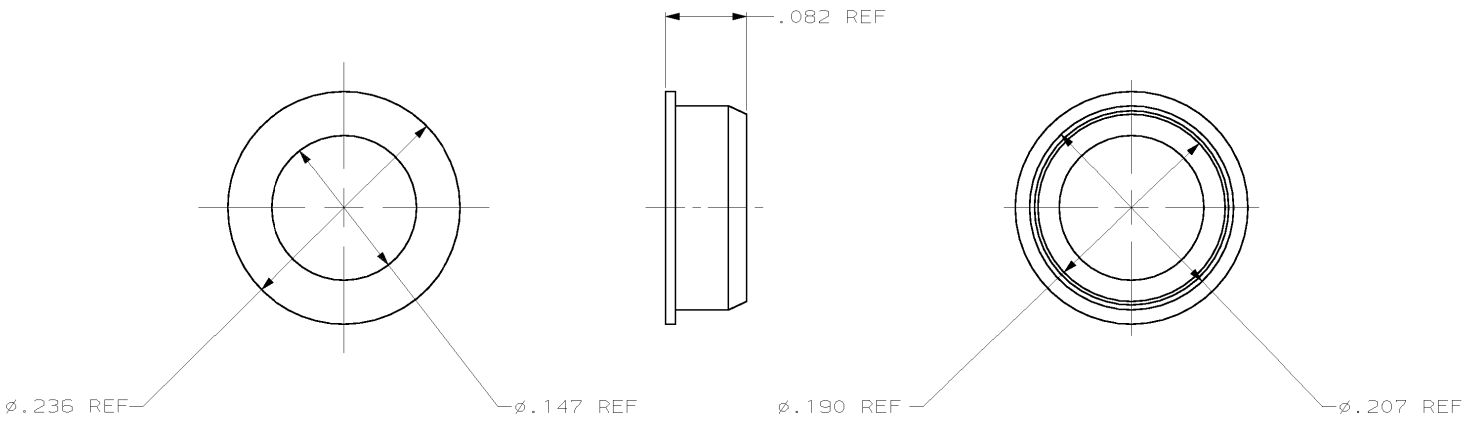
2

1

THIS DRAWING IS UNPUBLISHED. RELEASED FOR PUBLICATION .19 . . .
 © COPYRIGHT 19 BY AMP INCORPORATED. ALL RIGHTS RESERVED.

LOC	DIST	REVISIONS				
P	LTR	DESCRIPTION	DATE	DWN	APVD	
AJ	16	0	REV PER 0U20-0169-99	28OCT99	MO KW	

△ MATERIAL: NYLON, TYPE 6/6, BLACK



△	228616-1
MATERIAL	PART NUMBER

THIS DRAWING IS A CONTROLLED DOCUMENT.		DWN	M. O'BRINE	28OCT99	AMP Incorporated Harrisburg, PA 17105-3608
DIMENSIONS: INCHES		CHK	K. WEIDNER	28OCT99	
		APVD	K. WEIDNER	28OCT99	
TOLERANCES UNLESS OTHERWISE SPECIFIED: 0 PLC ±- 1 PLC ±- 2 PLC ±- 3 PLC ±- 4 PLC ±- ANGLES ±-		NAME	RING, ALIGNMENT, SIZE 8		
MATERIAL	-	FINISH	-	SIZE	A3 00779
CUSTOMER DRAWING		SCALE	10:1	DRAWING NO	C- 228616
		SHEET	1	OF	1
		REV	0	RESTRICTED TO	