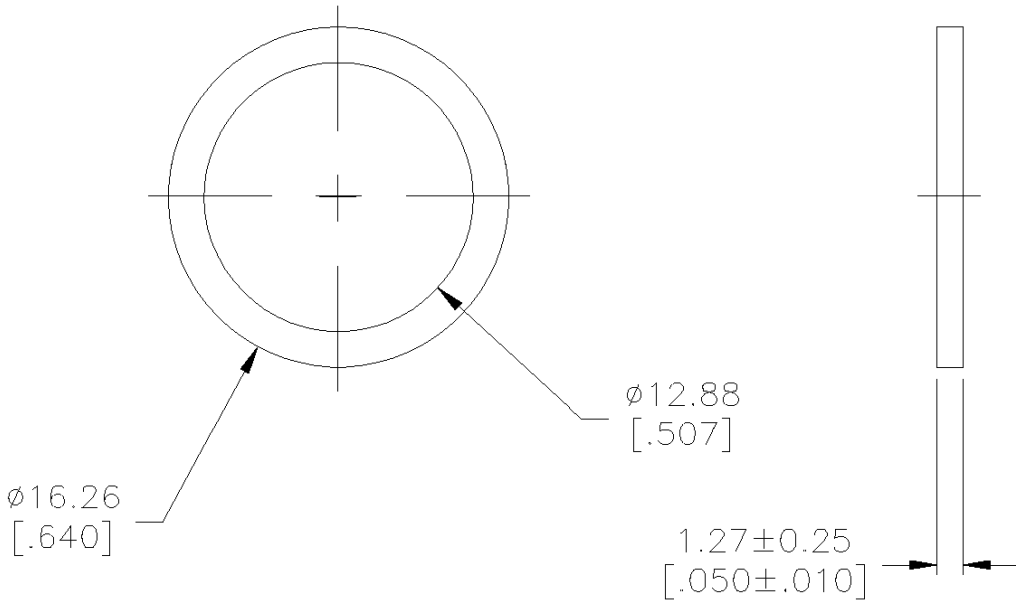


LOC	DIST	REVISIONS					
AJ	16	P	LTR	DESCRIPTION	DATE	DWN	APVD
		C		REV PER 0U20-0164-01	29MAR01	MO	BM

△ SILICONE RUBBER PER ZZ-R-765.



THIS DRAWING IS UNPUBLISHED.

ALL RIGHTS RESERVED.

© COPYRIGHT - BY TYCO ELECTRONICS CORPORATION.

329633  
PART NUMBER

DIMENSIONS: MM (INCHES)	DWN	30MAR01	MATERIAL	△	FINISH	-		
	CHK	29MAR01	Tyco Electronics Corporation Harrisburg, Pa					
TOLERANCES UNLESS OTHERWISE SPECIFIED:  0 PLC ± - 1 PLC ± - 2 PLC ± - 3 PLC ± 0.38 [.015] 4 PLC ± - ANGLES ± -	APVD	29MAR01	<b>AMP</b>					
	PRODUCT SPEC	-	NAME GASKET					
	APPLICATION SPEC	-	SIZE	A4	CAGE CODE	00779		
	WEIGHT	-	DRAWING NO	C=329633		RESTRICTED TO	-	
CUSTOMER DRAWING			SCALE	4:1	SHEET	1 OF 1	REV	C