

4

3

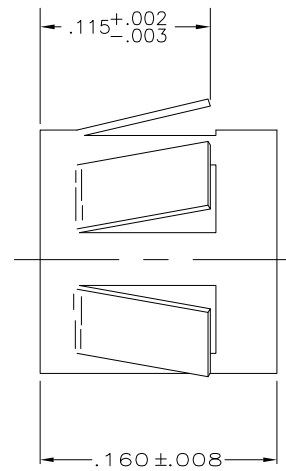
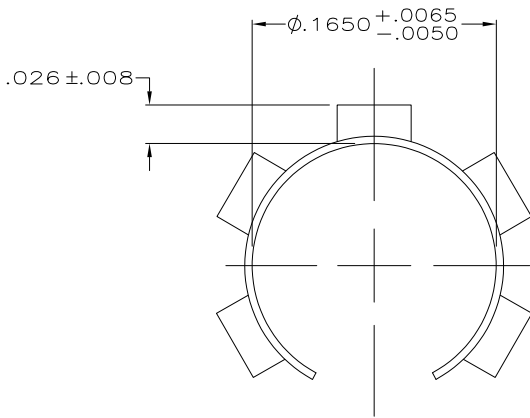
2

1

THIS DRAWING IS UNPUBLISHED. RELEASED FOR PUBLICATION
 © COPYRIGHT BY TYCO ELECTRONICS CORPORATION. ALL INTERNATIONAL RIGHTS RESERVED.

LOC	DIST	REVISIONS				
P	LTR	DESCRIPTION	DATE	DWN	APVD	
AJ	16	S	REVISED PER ECO-10-007735	13APR10	HMR WK	

1 STAINLESS STEEL PER QQ-S-766



201142-2
PART NO

THIS DRAWING IS A CONTROLLED DOCUMENT.		DWN J.KURTZ 2/21/90	Tyco Electronics Corporation Harrisburg, PA 17105-3608				
DIMENSIONS: INCHES		CHK D.LAMAN 3-9-90					
TOLERANCES UNLESS OTHERWISE SPECIFIED: 0 PLC ± - 1 PLC ± - 2 PLC ± - 3 PLC ± .005 4 PLC ± - ANGLES ± -		APVD M.SNEED 3-12-90	NAME SPRING,RETENTION				
MATERIAL 1		FINISH -	SIZE A.3	CAGE CODE 00779	DRAWING NO C-201142	RESTRICTED TO -	
		WEIGHT .000107 LB	CUSTOMER DRAWING		SCALE 15:1	SHEET 1 OF 1	REV S