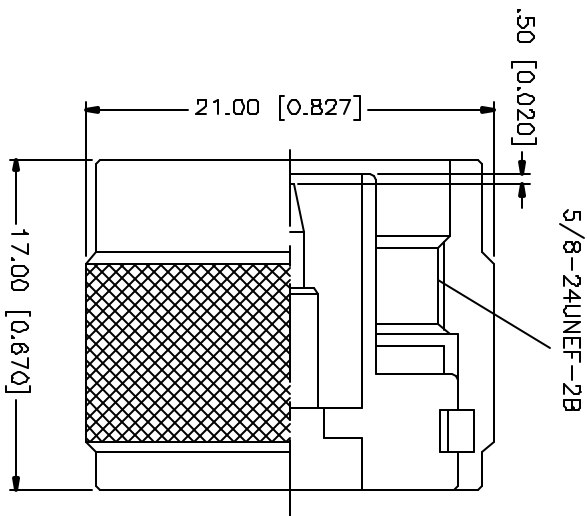


REV.	DATE	DESCRIPTION
NC	07/07/04	INITIAL RELEASE



REV.	DESCRIPTION	MATERIAL	FINISH	QTY	UNLESS OTHERWISE SPECIFIED DIMENSIONS ARE IN MILLIMETERS (DIMENSIONS IN [] ARE IN INCHES AND FOR EXCEPTED DIMENSIONS ONLY). TOLERANCES FOR MILLIMETERS ARE: 0.5 - 89mm ± 0.20mm 8 - 10mm ± 0.10mm 10 - 120mm ± 0.15mm UNLESS OTHERWISE SPECIFIED DIMENSIONS FOR INCHES ARE: .020 - .315 ± 0.0075 .315 - 1.180 ± 0.015 1.180 - 4.724 ± 0.025	DO NOT SCALE DRAWING	APPROVALS	DATE	PART DESCRIPTION	PART NO.	DWG. NO.	REV.	SIZE	SCALE
B						DRAWN	07/07/04	Amphenol Connex N SHORTING PLUG 172317	172317	172317.DWG	NC	A	NA	
7					CHECKED									
6					DESIGNED									
5					SHEET	1 OF 1								
4														
3														
2	CONTACT BODY	BRASS	GOLD	1										
1	BODY	BRASS	NEXGOTE	1										
	DESCRIPTION	MATERIAL	FINISH	QTY										