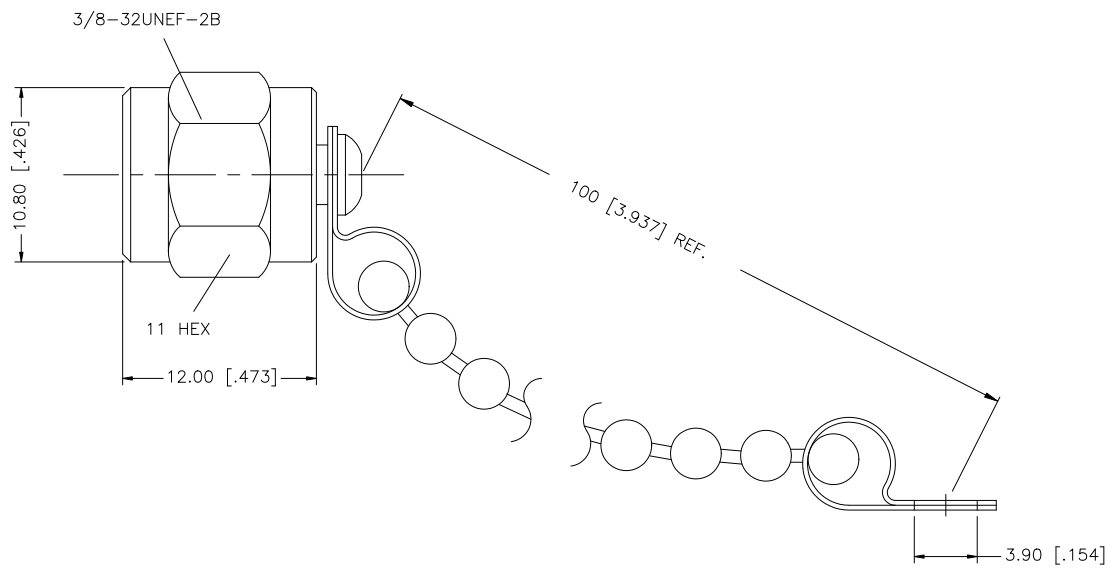


| REV. | DATE | DESCRIPTION |
|------|----------|-----------------------|
| A | 02/04/99 | MODIFY PLATING SPECS. |
| B | 10/03/07 | UPDATE DRAWING FORMAT |



| DESCRIPTION | MATERIAL | FINISH | QTY | DO NOT SCALE DRAWING | APPROVALS | DATE | Amphenol Connex | | | |
|-------------|----------|----------|--------|----------------------|----------------------------|--------|---------------------------|---|----------|---------------------|
| 8 | | | | | DRAWN | G.R.S. | 10/03/07 | PART DESCRIPTION F MALE CAP W/CHAIN | | |
| 7 | | | | | CHECKED | | PART NO. 222145 | | | |
| 6 | | | | | ISSUED | | | | | DWG. NO. 222145.DWG |
| 5 | | | | | SHEET | 1 OF 1 | REV. B | SIZE A | SCALE NA | |
| 4 | RIVET | BRASS | NICKEL | 1 | CAD FILE C:/222/222145.DWG | | | | | |
| 3 | CHAIN | BRASS | NICKEL | 1 | | | | | | |
| 2 | GASKET | SILICONE | RED | 1 | | | | | | |
| 1 | SHELL | BRASS | NICKEL | 1 | | | | | | |

UNLESS OTHERWISE SPECIFIED DIMENSIONS ARE IN MILLIMETERS; DIMENSIONS IN [] ARE IN INCHES AND FOR CUSTOMER REFERENCE ONLY.

UNLESS OTHERWISE SPECIFIED TOLERANCES FOR MILLIMETERS ARE:
0.5 - 8mm ± 0.20mm
8 - 30mm ± 0.40mm
30 - 120mm ± 0.50mm

UNLESS OTHERWISE SPECIFIED TOLERANCES FOR INCHES ARE:
.020 - .315 = ± 0.007"
.315 - 1.180 = ± 0.015"
1.180 - 4.724 = ± 0.020"