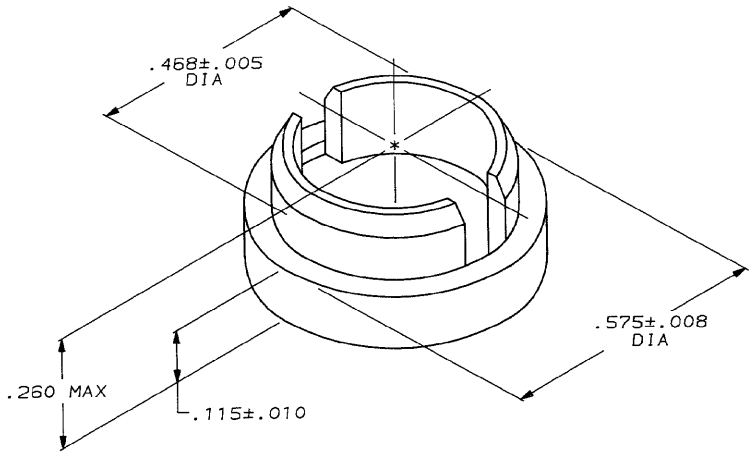


DRAWING MADE IN THIRD ANGLE PROJECTION

THIS DRAWING IS UNPUBLISHED. RELEASED FOR PUBLICATION .19
 © COPYRIGHT 19 BY AMP INCORPORATED, HARRISBURG, PA. ALL INTERNATIONAL RIGHTS RESERVED. AMP PRODUCTS MAY BE COVERED BY U.S. AND FOREIGN PATENTS AND/OR PATENTS PENDING.

MOD	LOC	DIST	P	F	ZONE	LTR	DESCRIPTION	DATE	APPROVED
3	AJ	16	✓	✓		O	PR 86-3347-032	3-2-87	MS/DH
			✓	✓		A	REV PER AJ-2604	3-23-87	TS/REC
						B	REV PER AJ-2776		



1. RECOMMENDED PANEL CUTOUT - $.485 \pm .003$ DIA.
2. $.125$ MAX PANEL THICKNESS.

222163-1
PART NO

UNLESS OTHERWISE SPECIFIED DIMENSIONS ARE IN INCHES		DR	M. SNEED	3-2-87	AMP	AMP INCORPORATED Harrisburg, Pa. 17105		
TOLERANCES ON:		CHK	D. S. HEIDE	3-6-87		NAME	BUSHING, INSULATING	
2 PL DEC #	_____	APPD	R. E. CAPP	3-6-87				
3 PL DEC #	_____	APPD	M. SNEED	3-9-87	SIZE	B	FSCH NO	00779
ANGLES #	_____	MATERIAL		PRODUCT SPEC	DRAWING NO		222163	
		POLYPROPYLENE		APPLICATION SPEC	SCALE	5:1	SHEET	1 OF 1
		GENERAL PURPOSE		WEIGHT	CUSTOMER DRAWING			

AMP 1470-15 REV 10-84

CUSTOMER DRAWING