

4

3

2

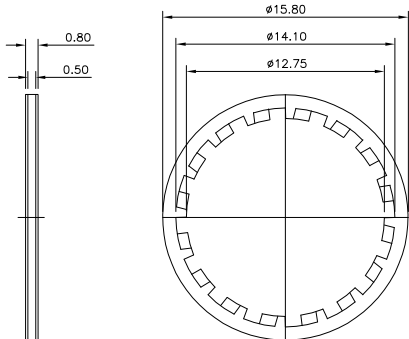
1

THIS DRAWING IS UNPUBLISHED. RELEASED FOR PUBLICATION JUNE ,2005.
 © COPYRIGHT 2005 BY TYCO ELECTRONICS CORPORATION. ALL RIGHTS RESERVED.

LOC	DIST	REVISIONS			
P	LTR	DESCRIPTION	DATE	DWN	APVD
	A	FIRST ISSUE	28JUN05	JS	FWK

NOTES

- △ SINGLE PACK IN ACCORDANCE WITH AMP SPEC 107-3275
- △ Ni PLATING OVER Cu PLATING
- 3 FOR TECHNICAL DATA REFER TO YOUR LOCAL TYCO ELECTRONICS SALES OFFICE.
- 4 ALL DIMENSIONS ARE NOMINAL FOR REFERENCE ONLY UNLESS OTHERWISE STATED.



		1	STEEL	△ LOCK WASHER
		1--0	MATERIAL	DESCRIPTION
QUANTITY		PARTS LIST		
		Tyco Electronics Corporation Bideford, UK, EX39 4HE		
		NAME: BNC/TNC LOCKWASHER		
SIZE	CAGE CODE	DRAWING NO	RESTRICTED TO	
A3	00779	1634817	-	
CUSTOMER DRAWING			SCALE	SHEET 1 OF 1 REV A
			NTS	

THIS DRAWING IS A CONTROLLED DOCUMENT.		DWN	J.SANDWELL	28JUN05														
DIMENSIONS:		CHK	S.PARLOW	28JUN05														
MM		APVD	F.WHEELER-KING	28JUN05														
		PRODUCT SPEC																
<table border="1"> <tr> <th colspan="2">TOLERANCES UNLESS OTHERWISE SPECIFIED:</th> </tr> <tr> <td>0 PLC</td> <td>± -</td> </tr> <tr> <td>1 PLC</td> <td>± -</td> </tr> <tr> <td>2 PLC</td> <td>± -</td> </tr> <tr> <td>3 PLC</td> <td>± -</td> </tr> <tr> <td>4 PLC</td> <td>± -</td> </tr> <tr> <td>ANGLES</td> <td>± -</td> </tr> </table>		TOLERANCES UNLESS OTHERWISE SPECIFIED:		0 PLC	± -	1 PLC	± -	2 PLC	± -	3 PLC	± -	4 PLC	± -	ANGLES	± -	APPLICATION SPEC		
TOLERANCES UNLESS OTHERWISE SPECIFIED:																		
0 PLC	± -																	
1 PLC	± -																	
2 PLC	± -																	
3 PLC	± -																	
4 PLC	± -																	
ANGLES	± -																	
MATERIAL	FINISH	WEIGHT	-															
SEE TABLE	SEE TABLE	-																