

4

3

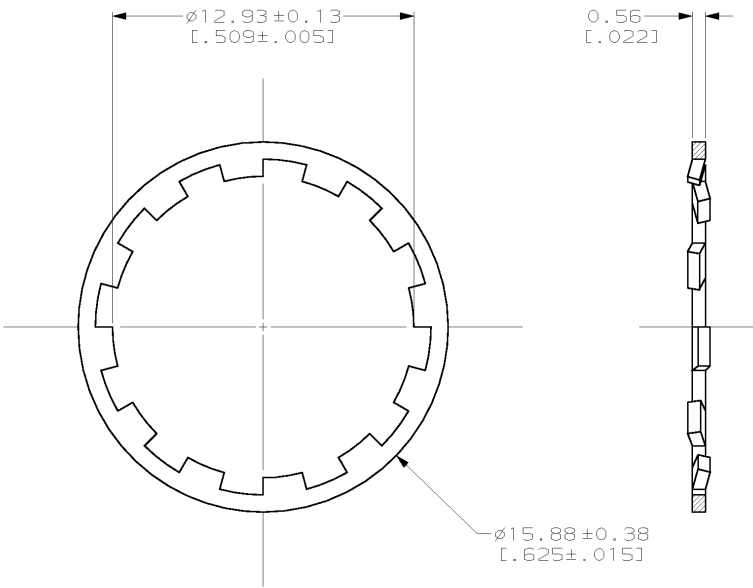
2

1

THIS DRAWING IS UNPUBLISHED. RELEASED FOR PUBLICATION .19  
 © COPYRIGHT 19 BY AMP INCORPORATED. ALL RIGHTS RESERVED.

LOC	DIST	REVISIONS			
P	LTR	DESCRIPTION	DATE	DWN	APVD
	F	ADDED: -15 PER EC 0514-0035-01	07NOV01	DD	JL

- ① PHOSPHOR BRONZE PER QQ-B-750.
- ② SILVER PLATE PER QQ-S-365.
- ③ NICKEL PLATE PER QQ-N-290.
- ④ GOLD PLATE PER MIL-G-45204, 0.51µm [.000020] MINIMUM THICK.



④	1-329632-5
③	1-329632-2
②	329632
FINISH	PART NUMBER

THIS DRAWING IS A CONTROLLED DOCUMENT.		DWN M. O'BRINE 25MAR01	AMP TYCO Electronics Harrisburg, PA 17105-3608	
DIMENSIONS: mm [INCHES]		CHK B. MOYER 30MAR01	NAME LOCKWASHER	
TOLERANCES UNLESS OTHERWISE SPECIFIED:		APVD B. MOYER 30MAR01	SIZE A3	CAGE CODE 00779
0 PLC ±-	1 PLC ±-	PRODUCT SPEC	DRAWING NO 329632	RESTRICTED TO
2 PLC ±-	3 PLC ±0.20 (.008)	APPLICATION SPEC	SCALE 6:1	SHEET 1 OF 1
4 PLC ±-	ANGLES ±-	WEIGHT [.009 oz]	REV F	
MATERIAL ①	FINISH SEE TABLE	CUSTOMER DRAWING		

AMP 1470-19 REV 23FEB95

07-NOV-01 19:22:32 amp36051 /home/amp36051/edmod