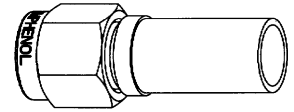


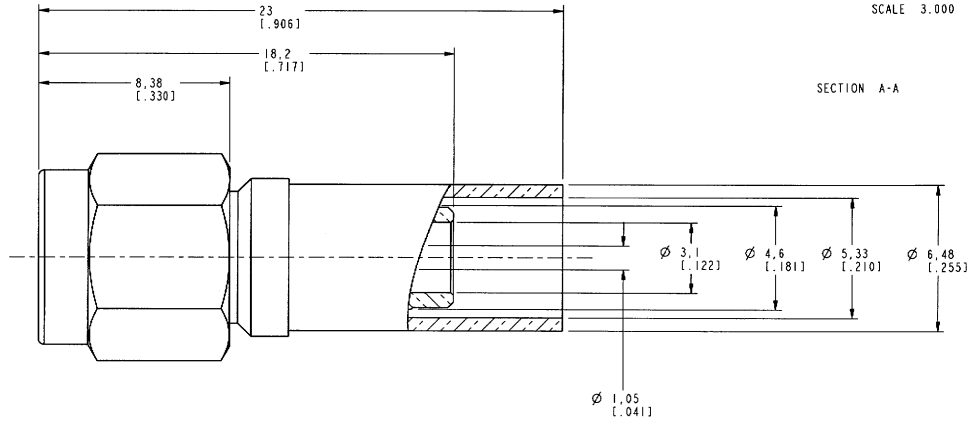
NOTES:

- MATERIALS OF CONSTRUCTION:  
 BODY, & SHELL = BRASS, NICKEL PLATED  
 CONTACT PIN = BRASS, GOLD PLATED  
 FERRULE = COPPER, NICKEL PLATED  
 RETAINING RING = BeCu, NATURAL  
 INSULATOR = TEFLON, MIL-P-19468  
 GASKET = SILICONE RUBBER, COLOR RED
- CRIMP FERRULE = HEX CRIMP SIZE .213

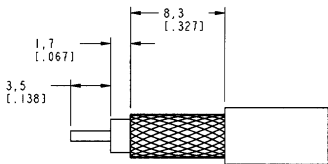
901-9876-RFX		REVISIONS			
DRAWING NO.	REV	DESCRIPTION	DATE	ECO	APPR
THIRD ANGLE PROJ.	A	RELEASE TO MFG.	1-25-01	43650	CPM



SCALE 3.000



SECTION A-A



RECOMMENDED CABLE STRIPPING DIMENSIONS  
SCALE 3.000

CUSTOMER OUTLINE DRAWING  
FOR REFERENCE ONLY

UNLESS OTHERWISE SPECIFIED, DIMENSIONS ARE IN INCHES AND TOLERANCES ARE: 0.5 - 6mm ±0.2mm 6 - 30mm ±0.4mm 30 - 120mm ±0.6mm	MATERIAL	DRAWN C. McGRATH	DATE 1/11/01	TITLE SMA CRIMP PLUG (FOR RG-58C/U, 58U CABLES)	<b>Amphenol</b> Amphenol Corporation Communication and Network Products Division Danbury, CT U.S.A. 06810 SCALE: 6.0:1 SHEET 2 OF 2		
	NOTICE - These drawings, specifications, or other data (1) are, and remain the property of Amphenol Corp. (2) must be returned upon request; and (3) are confidential and not to be disclosed to any person other than those to whom they are given by Amphenol Corp. The furnishing of these drawings, specifications, or other data by Amphenol Corp., or to any other person to anyone for any purpose is not to be regarded by implication or otherwise in any manner licensing, granting rights or permitting such holder or any other person to manufacture, use or sell any product, process or design, patented or otherwise, that may in any way be related to or disclosed by said drawings, specifications, or other data.	REFERENCE EAR 967698-0 GEN# 901-9876-RFX_ASSY	ENGINEER O. BARTHELMES	DATE 1/11/01		CODE ID 74868	DWG SIZE B
		APPROVED 	DATE 1/15/01				
		CAD FILE I:\SMA\901-9876-RFX					