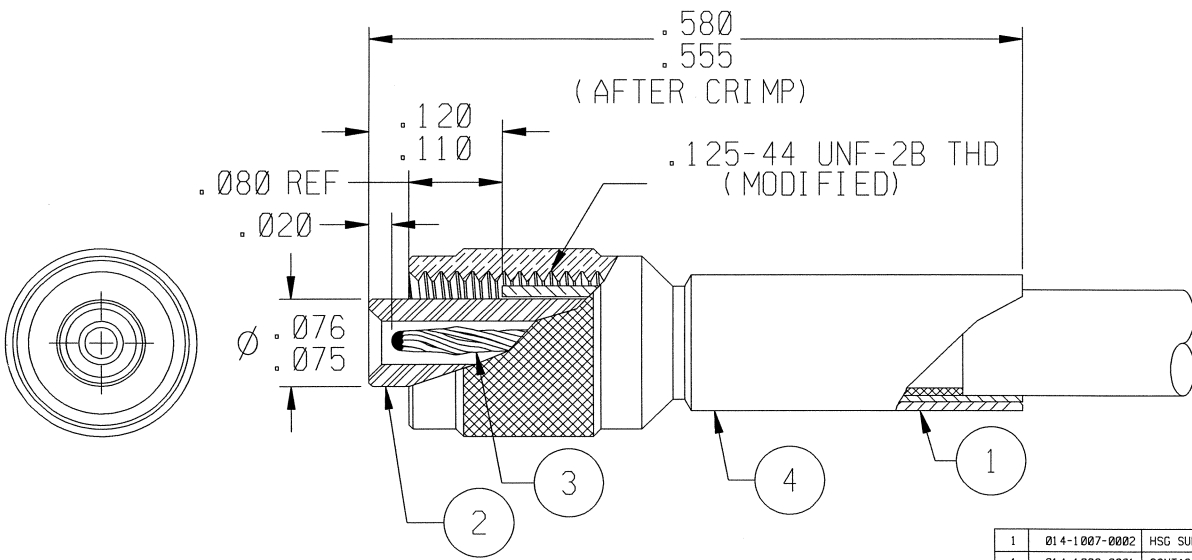


REVISION					
ZONE	LTR	ECN	DESCRIPTION	DATE	APPROVED
D		38945	SEE ECN	4/4/97	PS
E	39264		UPDATE REV. LIST	8/13/98	PS



Tyco Dwg 3-1532006-0  
Micro P/N 142-0000-0004

NOTES: UNLESS OTHERWISE SPECIFIED

1. ALL METALLIC PARTS ARE GOLD PLATED PER MIL-G-45204, TYPE II, GRADE C, CLASS 1
2. MATES WITH ALL LEPRO/CON 141 SCREW-ON SERIES JACKS AND RECEPTACLES.
3. FOR ASSEMBLY INSTRUCTION SEE RF-ASMG-12.
4. CABLE ACCEPTANCE DIMENSIONS:  
 CENTER CONDUCTOR DIA - - - - - .012  
 DIELECTRIC DIA - - - - - .034  
 SHIELD DIA - - - - - .054  
 JACKET DIA - - - - - .080

QTY	PART NUMBER	DESCRIPTION	ITEM NO
1	014-1007-0002	HSG SUBASSY .156 KNURL	4
1	014-1002-0001	CONTACT FERRULE SUBASSY/TEFLON INSUL	3
1	014-0005-0002	INSULATOR, HOUSING, TORLON	2
1	014-0004-0002	CRIMP SLEEVE COPPER ALLOY	1

UNLESS OTHERWISE SPECIFIED DIMENSIONS ARE IN INCHES. TOLERANCE ARE:		APPROVALS		<b>MICRODOT CONNECTORS</b> A DIVISION OF UNI-STAR INDUSTRIES INC. 305 PASADENA AVE., SO. PASADENA, CA 91030
FRACTIONS	DECIMALS	ANGLES		
± 1/8	.XX ±	± 2°	SIGNATURE	DATE
	.XXX ± .010		DRAWN	
			CHECKED	
			PROL. ENG.	4/5/97
			APPROVED	
FINISH:	THIS DOCUMENT IS THE PROPERTY OF MICRODOT CONNECTORS, A DIVISION OF UNI-STAR INDUSTRIES INC. USE OF THIS DOCUMENT OR ANY PART THEREOF IS STRICTLY PROHIBITED WITHOUT THE EXPRESS WRITTEN PERMISSION OF MICRODOT CONNECTORS, A DIVISION OF UNI-STAR INDUSTRIES INC.			SIZE CODE IDENT NO. DRAWING NO. B 98278 142-0000-0004 SCALE: NONE SHEET 1 OF 1