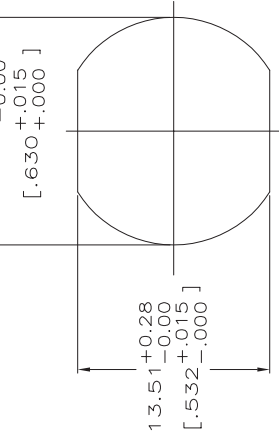
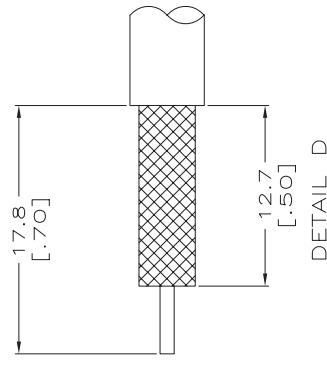
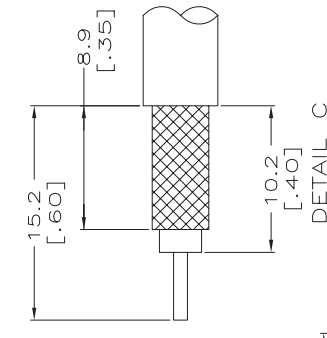
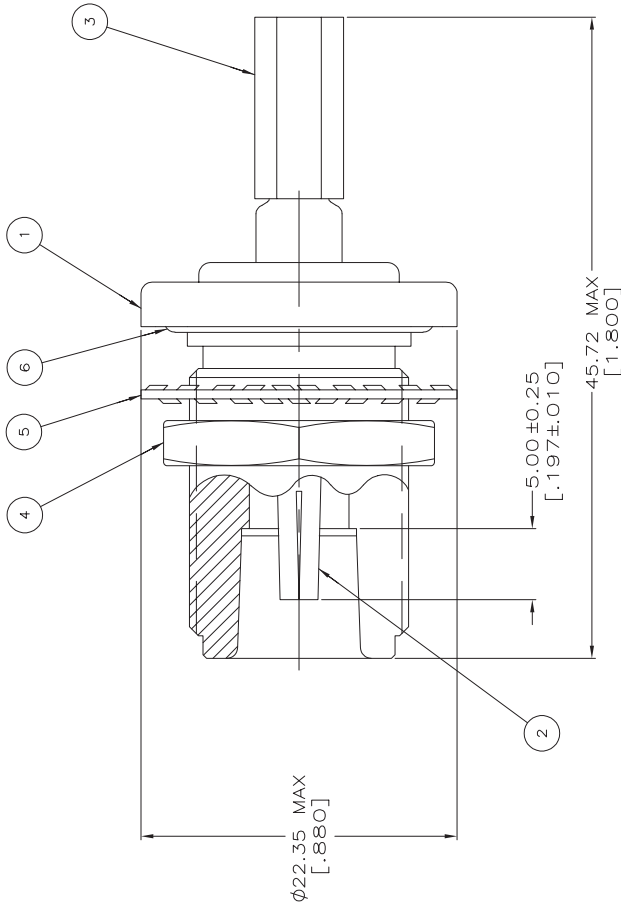


THIS DRAWING IS UNPUBLISHED. BY TYCO ELECTRONICS CORPORATION. ALL RIGHTS RESERVED.	LOC	DIST	REVISONS	
	AJ 16	A	DESCRIPTION	DATE
			REV PER EC-0514-0028-05	17DEC05
			REV PER	DATE
			BC	KW

- FOR USE WITH AMP PRO-CRIMPER II HAND TOOL, PART # 354940-1,
OR WITH THE 626 SERIES PNEUMATIC TOOL WITH ADAPTER #679304-1,
REQUIRES PRO-CRIMPER II DIE SET PART # 58436-1.
FOR CONTACT AND BRAID TERMINATION.
- REQUIRES PRO-CRIMPER II DIE SET PART # 58485-1.
FOR CONTACT AND BRAID TERMINATION.
- SINGLE PACKED VERSION.



RECOMMENDED PANEL CUTOUT

4	RG-142/U, 142A/U & 142B/U	CONTACT: .068, BRAID: .213	DETAIL C	22132-3	DETAIL C	22132-3	50687-2	1-332004-7	9-221132-4	415246-8	415249-1	5415248-7
	RG-393/U	CONTACT: .100, BRAID: .429	DETAIL D	22132-3	DETAIL D	22132-3	50687-2	1-332004-7	9-221132-8	415250-1	415250-1	5415248-6
	RG-58A/U & 58C/U	CONTACT: .068, BRAID: .213	DETAIL C	22132-3	DETAIL C	22132-3	50687-2	1-332004-7	9-221132-0	415246-8	415249-1	5415248-1
		HEX CRIMP HEIGHTS IN INCHES	STRIP LENGTH	6	O-RING	QTY=1	5	LOCKWASHER	QTY=1	4	JAM NUT	QTY=1
										3	FERRULE	QTY=1
										2	CONTACT	QTY=1
										1	JACK ASSY	QTY=1

THIS DRAWING IS A CONTROLLED DOCUMENT.

DATE: 17DEC05

BY: G. ATTADIA - DOCKS

CHK: M. HAVENER

APP: G. MICHAEL

PRODUCT SPEC

APPLICATION SPEC

WEIGHT

CUSTOMER DRAWING

SCALE: 4:1

SHEET: 1 of 1

REV: A

TYCO ELECTRONICS CORPORATION
HARRISBURG, PA 17105-3608

BULKHEAD JACK, SERIES N

SIZE: 0.4 [102]

RESTRICTED TO

5415248