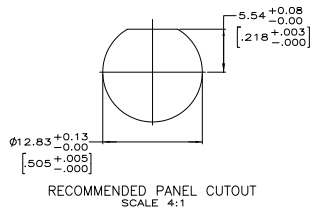
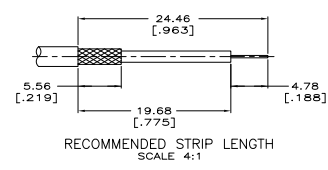
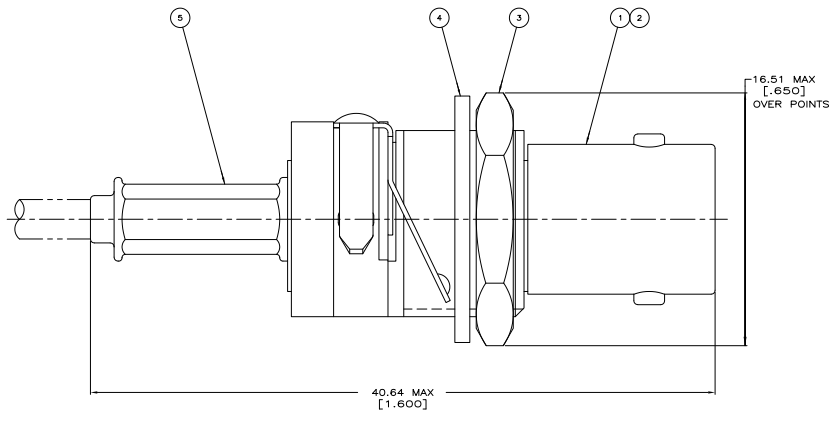


THIS DRAWING IS UNPUBLISHED
 RECEIVED FOR INFORMATION
 © 2008 BY TTI ELECTRONICS CORPORATION ALL RIGHTS RESERVED

REV	DATE	DESCRIPTION	BY	CHK	APP
A1	05-09-05	REVISED PER EDR-05-009324	JUNIGS	BM	JL
A2	09-08-09	REVISED PER EDR-09-024927	10NOV09	KK	AEG

- △ USE CRIMP TOOL: 354940-1
- 2. PANEL THICKNESS = 5.08 [200] MAX
- 3. USE INSTRUCTION SHEET 408-4048
- 4. CAPACITANCE = 9400 PF ± 10% TOTAL VOLTAGE = 500 VDC
- △ OBSOLETE PARTS: OBSOLETE CIS STREAMLINING PER D.RENAUD/D.SINIS



FOR USE WITH CABLE	FERRULE	CENTER CONTACT	DIE SET	SPACER	FERRULE	LOCK WASHER	JAM NUT	CONTACT	JACK ASSEMBLY	PART NUMBER
RG-174/U, 188/U, 316/U	4.52 [.178]	1.73 [.068]	58436-3	227194-5	9-413658-0	1-329632-2	1-329631-2	1-413774-5	414757-3	5414758-3
RG-174/U, 188/U, 316/U	4.52 [.178]	1.73 [.068]	58436-3	227194-5	9-413658-0	1-329632-2	1-329631-2	1-413774-5	414757-2	5414758-2
RG-58/U, 58A/U, 58B/U, 58C/U	5.41 [.213]	1.73 [.068]	58436-1		9-221132-0	1-329632-2	1-329631-2	413774-5	414757-1	5414758-1
	HEX CRIMP HEIGHTS		△	QTY=1	QTY=1	QTY=1	QTY=1	QTY=1	QTY=1	

THIS DRAWING IS A CONTROLLED DOCUMENT. TTI ELECTRONICS CORPORATION
 HARRISBURG, PA 17105-3608
 DRAWING NO: 108-1490
 DATE: 05-09-05
 CUSTOMER DRAWING: A100779 (5414758)
 SIZE: 8.1 x 11.0
 SHEET: 1 of 1
 REV: A2