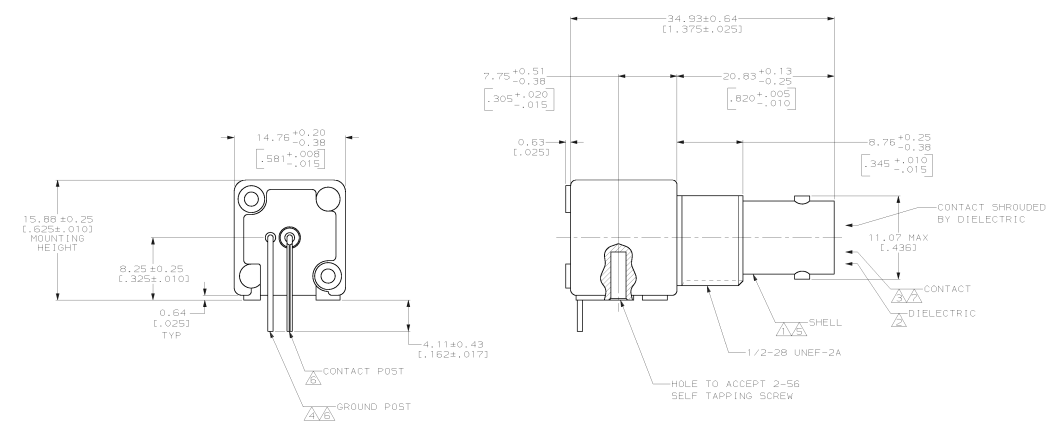
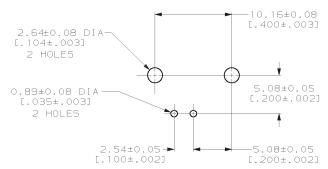
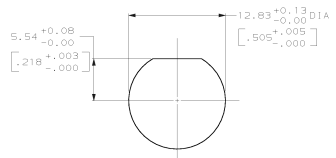


DRAWING MADE IN THIRD ANGLE PROJECTION
 THIRD ANGLE PROJECTION TO UNPUBLISHED RELEASED FOR PUBLICATION
 © COPYRIGHT 19 BY AMP INCORPORATED. ALL INTERNATIONAL RIGHTS RESERVED.

REV	ISS	DATE	BY	CHK	APP	DESCRIPTION	DATE	APP
AJ	16					REV PER 0020-0666-00	07/00/00	MO



- ▲ ZINC PER QQ-Z-363.
- ▲ POLYMETHYLENTERENE, GENERAL PURPOSE.
- ▲ PHOSPHOR BRONZE PER QQ-B-750.
- ▲ BRASS PER ASTM-B-453.
- ▲ NICKEL PLATE PER QQ-N-290, 3.81 μm (0.000150) MINIMUM THICK.
- ▲ TIN-LEAD PLATE PER MIL-P-81728, 3.81 μm (0.000150) MINIMUM THICK.
- ▲ GOLD PLATE PER MIL-G-45204, 0.76 μm (0.000030) MINIMUM THICK.
- B. SEE INSTRUCTION SHEET 2769.



41440-1
PART NUMBER

DO NOT SCALE PRINT. UNLESS SPECIFIED DIMENSIONS IN mm (INCHES) PREFERRED BY 3 PLG DEC 88 NOTES 1 - 7	DR 10-26-92 J. LIPSET CHR 10-26-92 A. GARDY APPD 10-27-92 A. GARDY APPR 10-27-92 J. LIPSET PRODUCT SPEC 108-1207B	AMP AMP Incorporated Harrisburg, PA 17105-9608	PART NO 41440-1
SEE NOTES 1 THRU 4	NAME JACK, RIGHT ANGLE, PCB 75 OHM, SERIES BNC	SIZE D	SCALE 4:1
FINISH SEE NOTES 5 THRU 7	APPLICATION SPEC -	BRWING NO 00779	414410
		SHEET 1 OF 1	

07-DEC-00 14:51:15 amp06572 /home/arc06572/c/bsawd

CUSTOMER DRAWING